



Business Message Standard (BMS) Basic Party Synchronisation

BMS Release: 3.1.0, BRG Name: GDSN

Issue 0.0.5, 5-August-2013



Document Summary

Document Item	Current Value
Document Title	Basic Party Synchronisation
BMS Release	3.1
Document Version	Issue, 0.0,5, 5-August-2013
SMG Name	GDSN
BMS Template Version	2.1

Change Request Reference

Date of CR Submission to GSMP:	CR Submitter(s):	Refer to Change Request (CR) Number(s):

Business Requirements Document (BRAD) Reference

BRAD Title:	BRD Date:	BRAD Version
BRAD For Align_Basic_Party_Synchronisation V 0.0.4		0.0.4

Document Change History

Date of Change	Version	Changed By	Reason for Change	Summary of Change	Model Build #
30-Jun-2012	0.0.2	Mark Van Eeghem	Initial Version for Release 3.1		
17-Sept-2012	0.0.3	Eric Kauz	Added query and response messages to Global Registry		
09-May-2013	0.0.4	Eric Kauz	Comment Review for Major Release	See Summary of Changes	
5-Aug-2013	0.0.5	Mark Van Eeghem	Cleanup for publication	See Summary of Changes	

Disclaimer

WHILST EVERY EFFORT HAS BEEN MADE TO ENSURE THAT THE GUIDELINES TO USE THE GS1 STANDARDS CONTAINED IN THE DOCUMENT ARE CORRECT, GS1 AND ANY OTHER PARTY INVOLVED IN THE CREATION OF THE DOCUMENT HEREBY STATE THAT THE DOCUMENT IS PROVIDED WITHOUT WARRANTY, EITHER EXPRESSED OR IMPLIED, REGARDING ANY MATTER, INCLUDING BUT NOT LIMITED TO THE OF ACCURACY, MERCHANTABILITY OR FITNESS FOR A PARTICULAR PURPOSE, AND HEREBY DISCLAIM ANY AND ALL LIABILITY, DIRECT OR INDIRECT, FOR ANY DAMAGES OR LOSS RELATING TO OR RESULTING FROM THE USE OF THE DOCUMENT. THE DOCUMENT MAY BE MODIFIED, SUBJECT TO DEVELOPMENTS IN TECHNOLOGY, CHANGES TO THE STANDARDS, OR NEW LEGAL REQUIREMENTS. SEVERAL PRODUCTS AND COMPANY NAMES MENTIONED HEREIN MAY BE TRADEMARKS AND/OR REGISTERED TRADEMARKS OF THEIR RESPECTIVE COMPANIES. GS1 IS A REGISTERED TRADEMARK OF GS1 AISBL.

Table of Contents

1. Business Domain View	4
1.1. Problem Statement / Business Need	4
1.2. Objective	5
1.3. Audience	5
1.4. References	5
1.5. Acknowledgements	5
1.5.1. Work Group	5
1.5.2. Design Team Members	8
2. Business Context	8
3. Business Transaction View	8
3.1. Register Party	8
3.2. Change Registered Party	10
3.3. Distribute Party Information	12
3.4. Class Diagrams	14
3.4.1. Code	14
3.4.2. Basic Party Registration	14
3.4.3. Party Registration Response	16
3.4.4. Registry Party Data Dump	18
3.4.5. Party	20
3.4.6. Search Request	22
3.4.7. Search Result	25
3.4.8. Process Capability	28
3.5. Code Lists	31
3.5.1. Message Capability Code	31
3.5.2. Record Status Code	33
3.5.3. Search Topic Type Code	33
3.5.4. Process Capability Code	34
4. Business Document Example	34
5. Implementation Considerations	38
6. Appendices	39
6.1. Glossary	39
7. Summary of Changes	39

1. Business Domain View

1.1. Problem Statement / Business Need

Substantial effort has been made to develop a Global Data Synchronisation process because master data sharing between partners is both complex and fundamental to all supply chain processes. Integrity and timeliness of master data is critical to the flow of goods, services and information throughout the chain. Sharing data effectively and efficiently relies on access to common data definitions, data accuracy and agreement on the processes used to exchange data. This process is termed Master Data Synchronisation.

The salient points for synchronisation are:

1. synchronisation is a process
2. it is auditable
3. the process must utilize GS1 industry standards
4. the data exchanged must be compliant with these standards
5. the recipient must acknowledge the integration of the data
6. continuous updates must be applied

Party information is a part of Master Data. Trading Partner's involved with the Global Data Synchronisation Network (GDSN) require data regarding party (GLN) information to determine the unique identification, the role definition, the business process capability and the message capability required to function in the network defined to achieve Master Data Synchronisation.

Due to the complexities of full Party Synchronisation, there is a requirement to create an initial Basic Party Synchronisation process. The process requirements for basic party synchronisation within the Global Data Synchronisation Network should include:

- Load and Update Party Data within the Global Registry
- Manage Party Data in the Global Registry
- Distribute Party Data

The data requirements for synchronisation of Party information within the Global Data Synchronisation Network for basic party synchronisation should include:

- GLN as mandatory choice for Party Identification
- At least one role of Party as mandatory, allowing additional roles
- At least one business process identification (party role) and one Message Identification used to define the capability of the party.

1.2. Objective

To populate the GS1 Global Registry and report to data pools and their registered trading partners up to date data source party information.

1.3. Audience

The audience of this standard is any participant in the global supply chain. This includes retailers, manufacturers, service providers and other third parties.

1.4. References

Reference Name	Description
BRAD For Align_Basic_Party_Synchronisation V 0.0.4	Business Requirements Analysis Document for Basic Party Synchronisation

1.5. Acknowledgements

The following is a list of individuals (and their companies) who participated in the creation, review and approval of this BMS.

1.5.1. Work Group

Function	Name	Company / organisation
Work Group Member	Arseneau Craig	Commport Communications Int'l Inc.
Work Group Member	Atkins Mickey	Ahold (USA)
Work Group Member	Ausili Andrea	GS1 Italy
Work Group Member	Bellosta Carreras Santiago	EDICOM
Work Group Member	Biffi Giovanni	GS1 Colombia
Work Group Member	Bohning Joseph	Nestle Purina PetCare
Work Group Member	Brown Scott	GS1 US
Work Group Member	Cashman Stacy	Johnson & Johnson
Work Group Member	Colglazier Scott	Procter & Gamble Co.
Work Group Member	Davies Tracey	GXS (UK)
Work Group Member	Depke Braden	Abbott Laboratories Inc.
Work Group Member	Doering JoAnne	Abbott Laboratories Inc.
Work Group Member	Feuerstein Véra	Nestle
Work Group Member	Fortier Mitch	GS1 Australia
Work Group Member	Fremont Frederique	C.H.I Robert Ballanger
Work Group Member	Garbett Alasdair	WDFG UK LTD
Work Group Member	Gathmann Stefan	GS1 Ireland
Work Group Member	Ginsburg Eric	HJ Heinz
Work Group Member	Gray Neil	GS1 UK



Function	Name	Company / organisation
Work Group Member	Gupta Sudu	ITradeNetwork.com, Inc.
Work Group Member	Gyuris János	GS1 Hungary
Work Group Member	Hoffman Rob	Hershey Company (The)
Work Group Member	Ichihara Hideki	GS1 Japan
Work Group Member	Jaworski Jan	Wilton Industries, Inc.
Work Group Member	Jesus Ed	Chep
Work Group Member	Jönsson Peter	GS1 Sweden
Work Group Member	Kaerner Juliane	GS1 Germany
Work Group Member	Kasper Sascha	1WorldSync Holdings, Inc.
Work Group Member	Kernan Brendan	GS1 Ireland
Work Group Member	Kidd Robin	Nestle
Work Group Member	Koch Phyllis	The Schwan Food Company
Work Group Member	Kolb Werner	Unilever N.V.
Work Group Member	Kolwane Leppie	GS1 South Africa / Consumer Goods Council of South Africa
Work Group Member	Lai Kristel	GS1 Canada
Work Group Member	Laskero Nancy	Sears, Roebuck and Co.
Work Group Member	Laur Rita	GS1 Canada
Work Group Member	Lavik Jason	Target Corporation
Work Group Member	Laxdal Jason	GS1 Canada
Work Group Member	Leblond Jean-Luc	GS1 France
Work Group Member	Lekwana Pedro	GS1 South Africa / Consumer Goods Council of South Africa
Work Group Member	Li Daoyi	GS1 China
Work Group Member	Little Pebbles	Charlotte Pipe and Foundry Company
Work Group Member	Massimino Damián	Eway S.A.
Work Group Member	Middleton Justin	GS1 Australia
Work Group Member	Mittersteiner Federico	GS1 Italy
Work Group Member	Naal Doug	Kraft Foods, Inc.
Work Group Member	Nunez Katrin	Summa Technology Group
Work Group Member	Nye Christine	Hershey Company (The)
Work Group Member	Olsson Staffan	GS1 Sweden
Work Group Member	ONeill Ted	ITradeNetwork.com, Inc.
Work Group Member	Ovuc Selcuk	1WorldSync Holdings, Inc.
Work Group Member	Pele kies Andreas	GS1 Germany
Work Group Member	Pujol Xavier	GS1 Spain
Work Group Member	Radomski Nadine	Dean Foods Company



Function	Name	Company / organisation
Work Group Member	Reichen Thanh	GS1 Switzerland
Work Group Member	Reissmann Hajo	Universitaetsklinikum Schleswig-Holstein
Work Group Member	Richard Ryan	Mondelez International, Inc.
Work Group Member	Robba Steven	1WorldSync Holdings, Inc.
Work Group Member	Rubio Alegren Sylvia	ICA AB
Work Group Member	Santonja Francisco	EDICOM
Work Group Member	Sato Craig	ITradeNetwork.com, Inc.
Work Group Member	Savatic Nada	Abbott Laboratories Inc.
Work Group Member	Schins Armand	Ahold (Europe)
Work Group Member	Schmidt Tom Eric	August Storck KG
Work Group Member	Schneck Joy	General Mills, Inc.
Work Group Member	Schneider Christian	GS1 Switzerland
Work Group Member	Segovic Damir	GS1 Croatia
Work Group Member	Siow Andy	GS1 Singapore
Work Group Member	Sobrinov Gabriel	GS1 Netherlands
Work Group Member	Soegaard Erik	GS1 Denmark
Work Group Member	Stafeev Maxim	SKB Kontur
Work Group Member	Stewart Jo Anna	GXS (US)
Work Group Member	Strouse Owen	FSE, Inc.
Work Group Member	Tan Milton	GS1 Malaysia
Work Group Member	Thomsen Tanja	GS1 Germany
Work Group Member	Tomassi Gina	PepsiCo, Inc.
Work Group Member	Tyson Betty	Knouse Foods Cooperative, Inc
Work Group Member	Utkovic Mirna	GS1 Australia
Work Group Member	Vatai Krisztina	GS1 Hungary
Work Group Member	Welch Shan	GS1 UK
Work Group Member	Werthwine Thomas	Johnson & Johnson
Work Group Member	Wiggins Audrey	Wal-Mart Stores, Inc.
Work Group Member	Wijnker Stephan	GS1 Australia
Work Group Member	Windsperger Bekki	Best Buy Co., Inc.
Work Group Member	Wissel Maureen	Best Buy Co., Inc.
Work Group Member	Zhang Tony	FSE, Inc.

1.5.2. Design Team Members

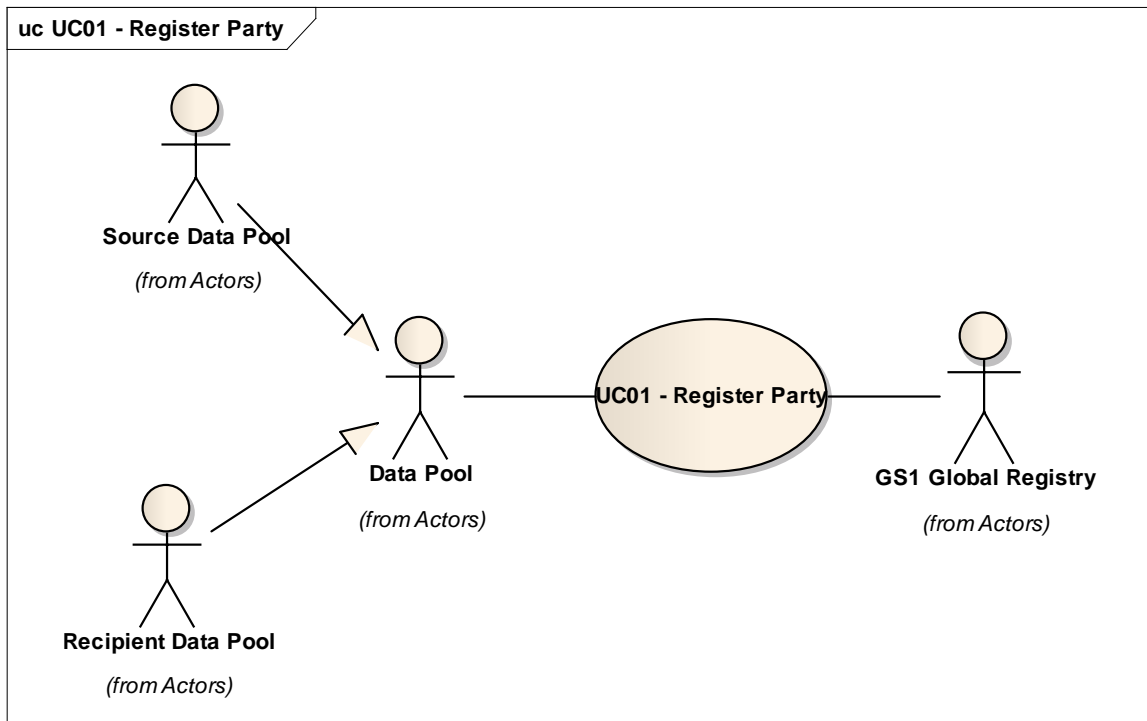
Function	Name	Organisation
Standards Content Lead	Eric Kauz/Mark Van Eeghem	GS1
Technical Development Lead	Ewa Iwicka	GS1
Peer Review	Mark Van Eeghem	GS1

2. Business Context

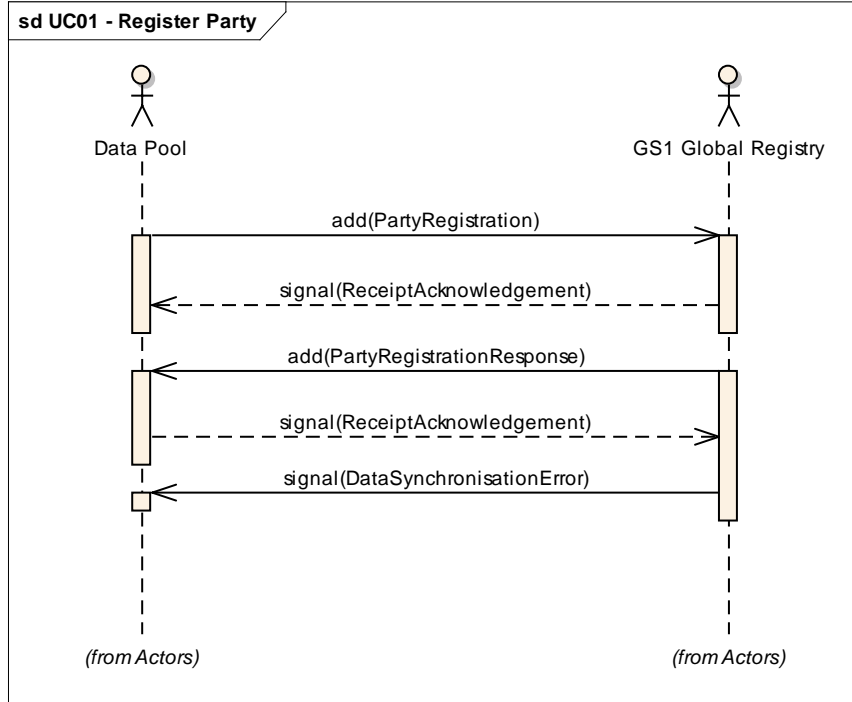
Context Category	Value(s)
Industry	All
Geopolitical	All
Product	All
Process	Align_GDSN Basic Party Synchronisation
System Capabilities	GS1
Official Constraints	None

3. Business Transaction View

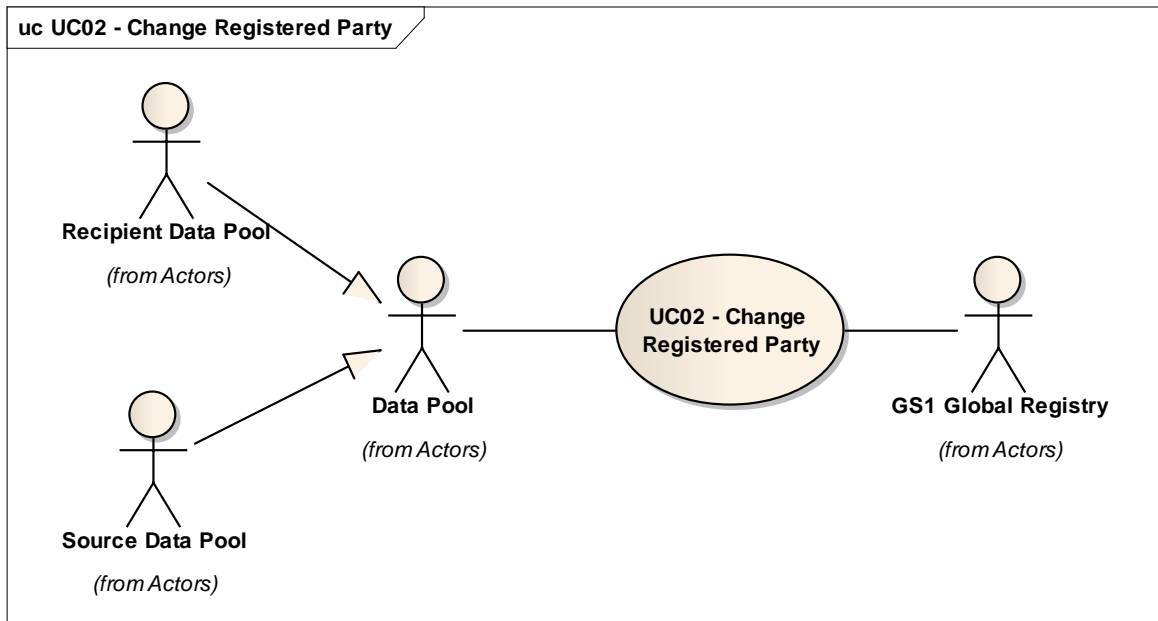
3.1. Register Party



Use Case ID	UC-1															
Use Case Name	Register Party															
Use Case Description	Prior to registration, the party data must pass validations at the data pool and a uniqueness check at the Registry. The Global Registry ensures that valid, unique party data is available within the Global Data Synchronisation Network and that all valid GDSN parties must be registered in the Global Registry. This Use Case describes the registration process that is performed by the Global Registry.															
Actors (Goal)	Data Pool (Source Data Pool or Recipient Data Pool) Global Registry (GR)															
Performance Goals	Data Pool: To have validated, registered Party data. Global Registry: To ensure valid, unique Party data is registered.															
Preconditions	The data pool is a certified. The data pool has a profile that resides in the registry.															
Post conditions	The party data has been registered and retained by the Global Registry															
Scenario	<p>Begins when... the Global Registry receives validated Party Data from a data pool. Continues with...</p> <table border="1"> <thead> <tr> <th>Step #</th> <th>Actor</th> <th>Activity Step</th> </tr> </thead> <tbody> <tr> <td>1</td> <td>GR</td> <td>Ensures that the data pool is certified.</td> </tr> <tr> <td>2</td> <td>GR</td> <td>Verifies the uniqueness of the GLN.</td> </tr> <tr> <td>3</td> <td>GR</td> <td>Stores the party data.</td> </tr> </tbody> </table> <p>Ends when... The Global Registry sends a registration response to the data pool.</p>	Step #	Actor	Activity Step	1	GR	Ensures that the data pool is certified.	2	GR	Verifies the uniqueness of the GLN.	3	GR	Stores the party data.			
Step #	Actor	Activity Step														
1	GR	Ensures that the data pool is certified.														
2	GR	Verifies the uniqueness of the GLN.														
3	GR	Stores the party data.														
Alternative Scenario	<p>Data Pool not certified:</p> <table border="1"> <thead> <tr> <th>Step #</th> <th>Actor</th> <th>Activity Step</th> </tr> </thead> <tbody> <tr> <td>1</td> <td>GR</td> <td>Sends an error message to the data pool.</td> </tr> </tbody> </table> <p>Ends when... the data pool receives the error message.</p> <p>The party already exists in the GR:</p> <table border="1"> <thead> <tr> <th>Step #</th> <th>Actor</th> <th>Activity Step</th> </tr> </thead> <tbody> <tr> <td>1</td> <td>GR</td> <td>Sends an error message to the data pool.</td> </tr> <tr> <td>2</td> <td>Data Pool</td> <td>Receives the error message.</td> </tr> </tbody> </table> <p>Ends when...the data pool receives the error message.</p>	Step #	Actor	Activity Step	1	GR	Sends an error message to the data pool.	Step #	Actor	Activity Step	1	GR	Sends an error message to the data pool.	2	Data Pool	Receives the error message.
Step #	Actor	Activity Step														
1	GR	Sends an error message to the data pool.														
Step #	Actor	Activity Step														
1	GR	Sends an error message to the data pool.														
2	Data Pool	Receives the error message.														
Related Rules	<ol style="list-style-type: none"> 1. State, Province, Department must be populated in the Party Name and Address if the country associated with the address has one. 2. The data pool submitting the Basic Party Registration message populates the isPartyActive flag in the GR through the Basic Party Registration message. 															

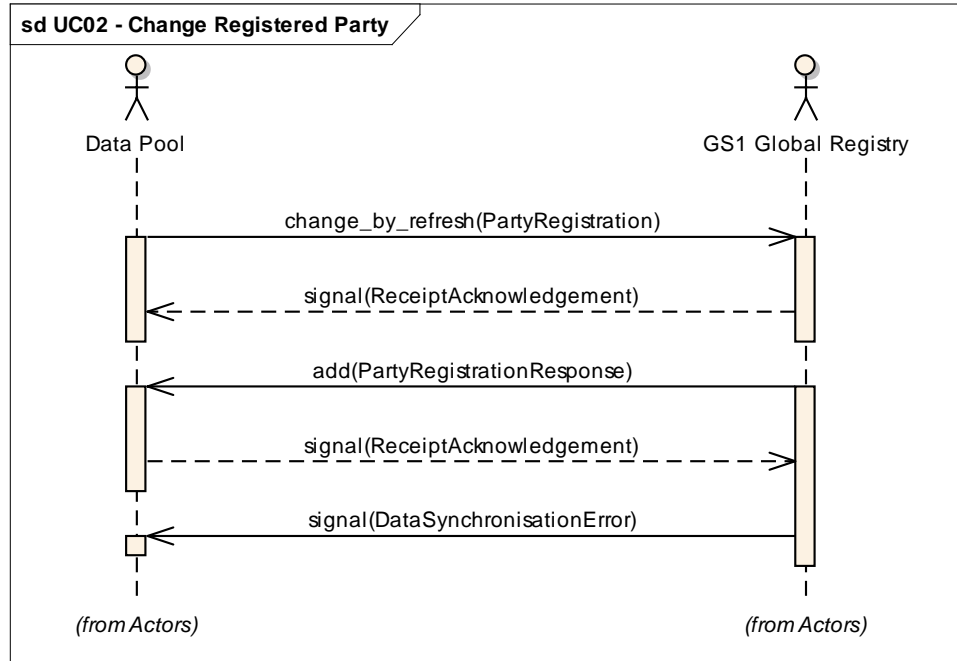


3.2. Change Registered Party

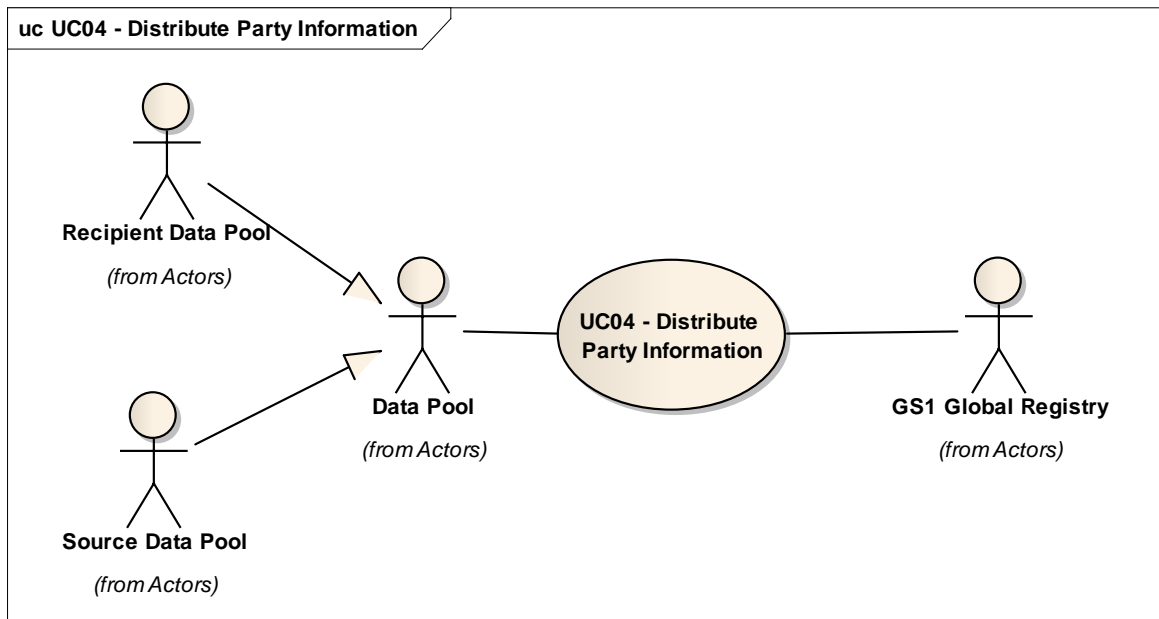


Use Case ID	UC-2
Use Case Name	Change Registered Party
Use Case Description	In the event that party data changes in a data pool, the changes must be reflected in the Global Registry.
Actors (Goal)	Data Pool (Source Data Pool or Recipient Data Pool) Global Registry (GR)

Use Case ID	UC-2															
Performance Goals	Data Pool: To have validated, registered Party data. Global Registry: To ensure valid, unique Party data is registered.															
Preconditions	The data pool is certified. The data pool has a profile that resides in the registry. The data pool has received a "Change Registered Party" message from their trading partner. The data pool has validated party data received and has sent that Party data to the Global Registry. The Party data has been previously registered.															
Post conditions	The party data changes have been applied and retained in the Global Registry.															
Scenario	<p>Begins when... the Global Registry receives a validated Change Registered Party message from a data pool.</p> <p>Continues with...</p> <table border="1"> <thead> <tr> <th>Step #</th> <th>Actor</th> <th>Activity Step</th> </tr> </thead> <tbody> <tr> <td>1</td> <td>GR</td> <td>Ensures that the data pool is certified.</td> </tr> <tr> <td>2</td> <td>GR</td> <td>Validates the party data from the data pool.</td> </tr> <tr> <td>3</td> <td>GR</td> <td>Ensures that the party data already exists in the Global Registry and that the transmittingParty (GLN) of the Basic Party Registration Change equals the partyDataPool GLN on the party record in the Global Registry.</td> </tr> <tr> <td>4</td> <td>GR</td> <td>Updates the party data.</td> </tr> </tbody> </table> <p>Ends when... The Global Registry sends a registration response to the data pool.</p>	Step #	Actor	Activity Step	1	GR	Ensures that the data pool is certified.	2	GR	Validates the party data from the data pool.	3	GR	Ensures that the party data already exists in the Global Registry and that the transmittingParty (GLN) of the Basic Party Registration Change equals the partyDataPool GLN on the party record in the Global Registry.	4	GR	Updates the party data.
Step #	Actor	Activity Step														
1	GR	Ensures that the data pool is certified.														
2	GR	Validates the party data from the data pool.														
3	GR	Ensures that the party data already exists in the Global Registry and that the transmittingParty (GLN) of the Basic Party Registration Change equals the partyDataPool GLN on the party record in the Global Registry.														
4	GR	Updates the party data.														
Alternative Scenario	<p>Data Pool not certified:</p> <table border="1"> <thead> <tr> <th>Step #</th> <th>Actor</th> <th>Activity Step</th> </tr> </thead> <tbody> <tr> <td>1</td> <td>GR</td> <td>Sends an error message to the data pool.</td> </tr> </tbody> </table> <p>Ends when... the data pool receives the error message.</p> <p>The Party data does not exist in the GR:</p> <table border="1"> <thead> <tr> <th>Step #</th> <th>Actor</th> <th>Activity Step</th> </tr> </thead> <tbody> <tr> <td>1</td> <td>GR</td> <td>Sends an error message to the data pool.</td> </tr> </tbody> </table> <p>Ends when... the data pool receives the error message.</p>	Step #	Actor	Activity Step	1	GR	Sends an error message to the data pool.	Step #	Actor	Activity Step	1	GR	Sends an error message to the data pool.			
Step #	Actor	Activity Step														
1	GR	Sends an error message to the data pool.														
Step #	Actor	Activity Step														
1	GR	Sends an error message to the data pool.														
Related Rules	<p>The transmittingParty (GLN) of the Basic Party Registration Change equals the partyDataPool GLN on the party record in the Global Registry.</p> <p>The informationProviderOfParty GLN cannot be changed through a Change Registered Party message.</p>															



3.3. Distribute Party Information

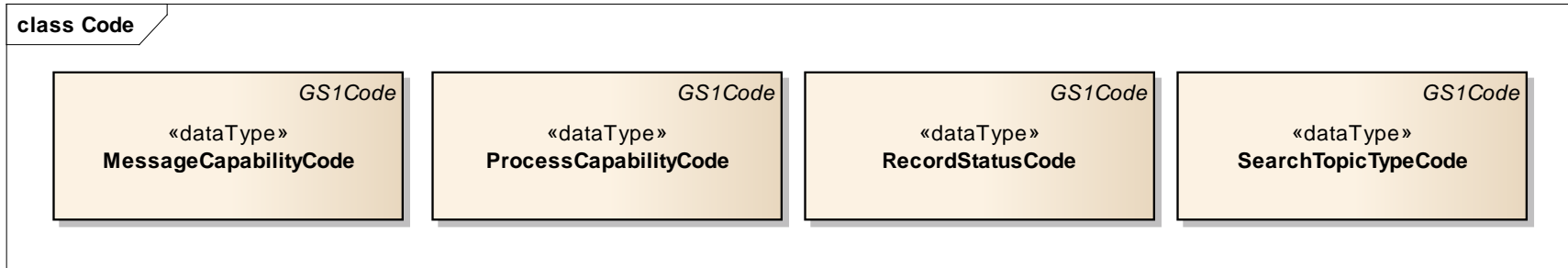


Use Case ID	UC-4
Use Case Name	Distribute Party Information
Use Case Description	This use case describes the process of sending party information from the Global Registry to the data pool (DP)
Actors (Goal)	Data Pool (Source Data Pool or Recipient Data Pool) Global Registry (GR)

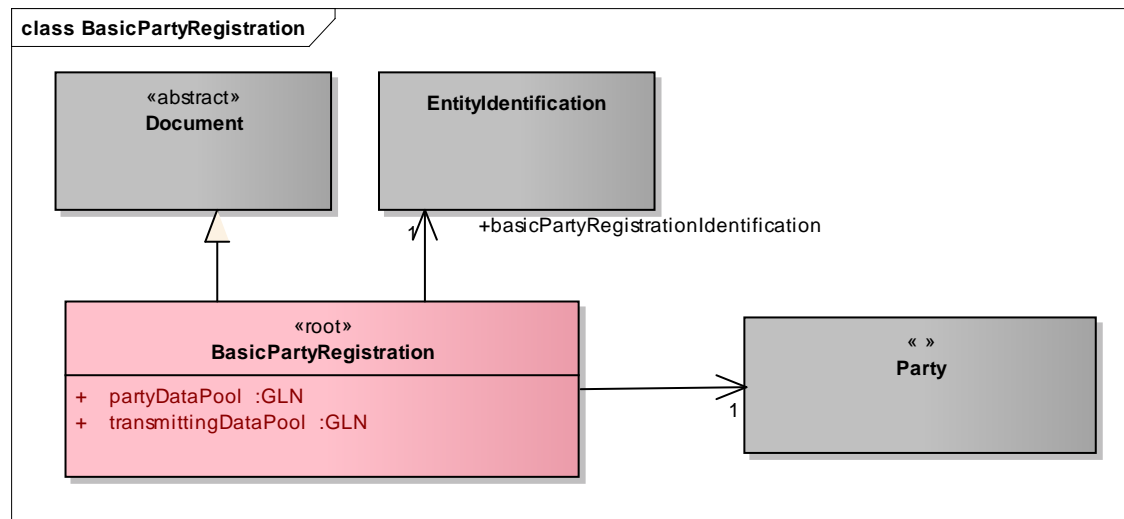
Use Case ID	UC-4							
Performance Goals	Data Pool: To receive updated and validated party data from the Global Registry. Global Registry: To send updated, validated and registered party data.							
Preconditions	Not Applicable							
Post conditions	Data Pool has received Party Data.							
Scenario	Begins when... the GR sends party data to DP via AS2.							
	Continues with...							
	<table border="1"> <thead> <tr> <th>Step #</th> <th>Actor</th> <th>Activity Step</th> </tr> </thead> <tbody> <tr> <td>1</td> <td>DP</td> <td>Receives the party data.</td> </tr> </tbody> </table>			Step #	Actor	Activity Step	1	DP
Step #	Actor	Activity Step						
1	DP	Receives the party data.						
	Ends when... the data pool filters the Party Data to validate Party Data.							
Alternative Scenario	Not Applicable							
Related Rules	Not Applicable							

3.4. Class Diagrams

3.4.1. Code



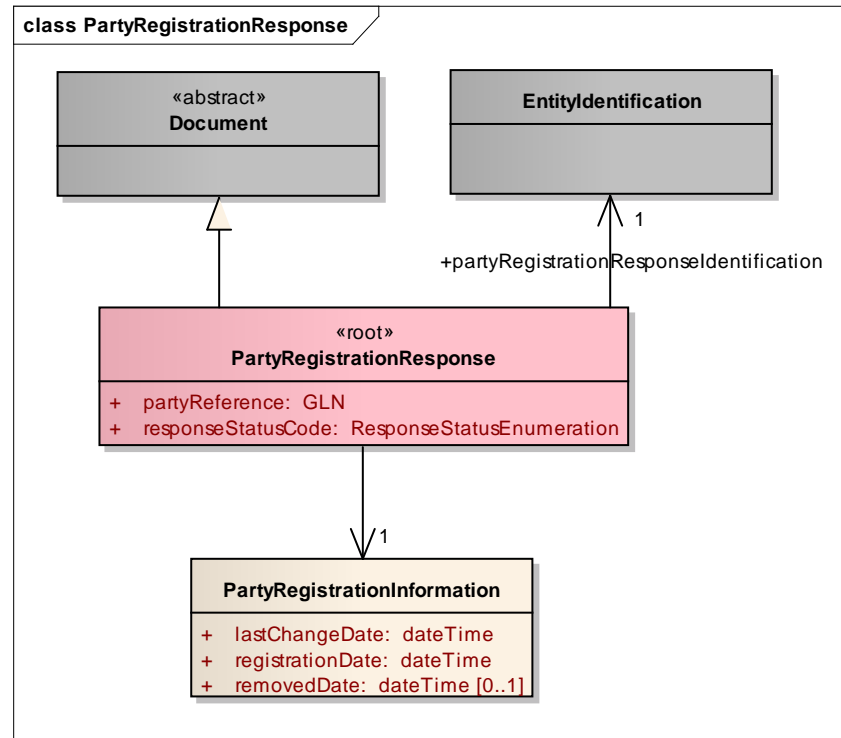
3.4.2. Basic Party Registration





Content	Attribute / Role	Datatype /Secondary class	Multipl icity	Definition
BasicPartyRegistration				A message used to register parties at the Global Registry.
Generalization		Document		
Association		Party	1..1	A party registered at the Global Registry.
Association	basicPartyRegistrationIdentification	EntityIdentification	1..1	A unique identification of the Basic Party Registration message.
Attribute	transmittingDataPool	GLN	1..1	The data pool that is transmitting the party information to the Global Registry.
Attribute	partyDataPool	GLN	1..1	The Global Location Number of the data pool responsible for registering the party record in the GS1 Global Registry.

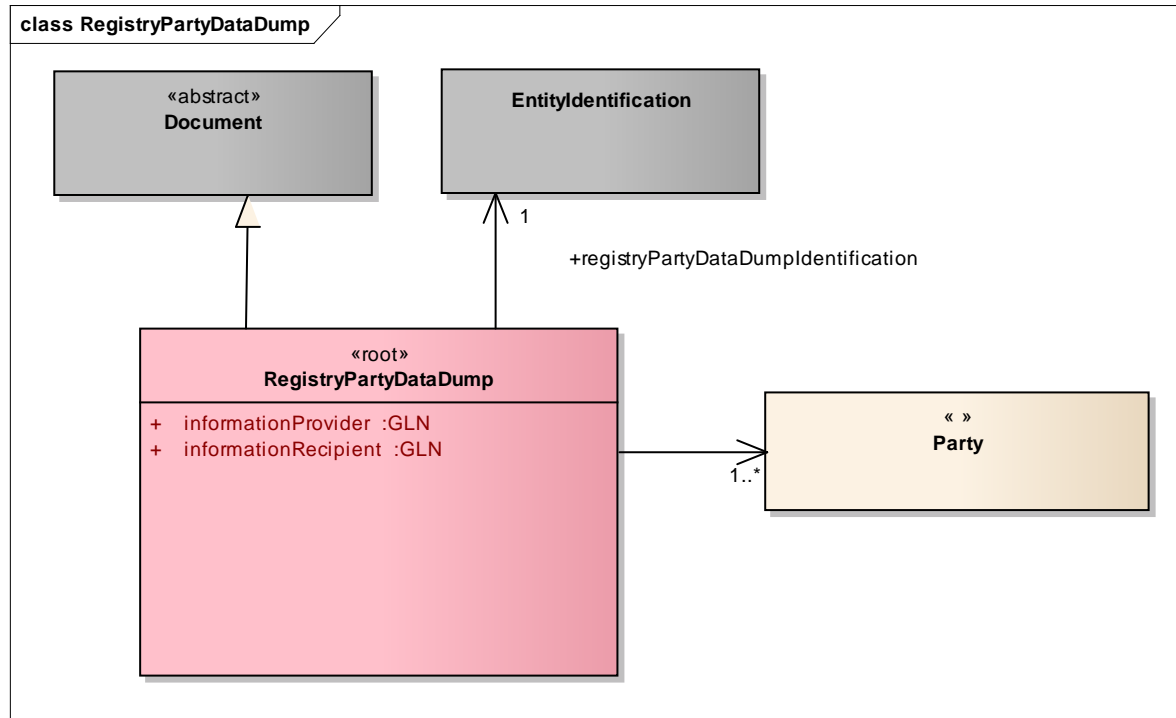
3.4.3. Party Registration Response



Content	Attribute / Role	Datatype /Secondary class	Multiplicity	Definition
PartyRegistrationInformation				Information on the party registered at the Global Registry
Attribute	lastChangeDate	dateTime	1..1	The date the party was removed from the Global Registry
Attribute	registrationDate	dateTime	1..1	The date the party was removed from the Global Registry

Content	Attribute / Role	Datatype /Secondary class	Multiplicity	Definition
Attribute	removedDate	dateTime	0..1	The date the party was removed from the Global Registry
PartyRegistrationResponse				A response message from the Global Registry regarding the status of a party registration.
Generalization		Document		
Association		PartyRegistrationInformation	1..1	Information on the party registered at the Global Registry
Association	partyRegistrationResponseIdentification	EntityIdentification	1..1	A unique identification of the Party Registration Response.
Attribute	partyReference	GLN	1..1	The identifier of the party registered at the global registry.
Attribute	responseStatusCode	ResponseStatusEnumeration	1..1	The response status for a Party Registration, expressed as a code for example Accepted.

3.4.4. Registry Party Data Dump



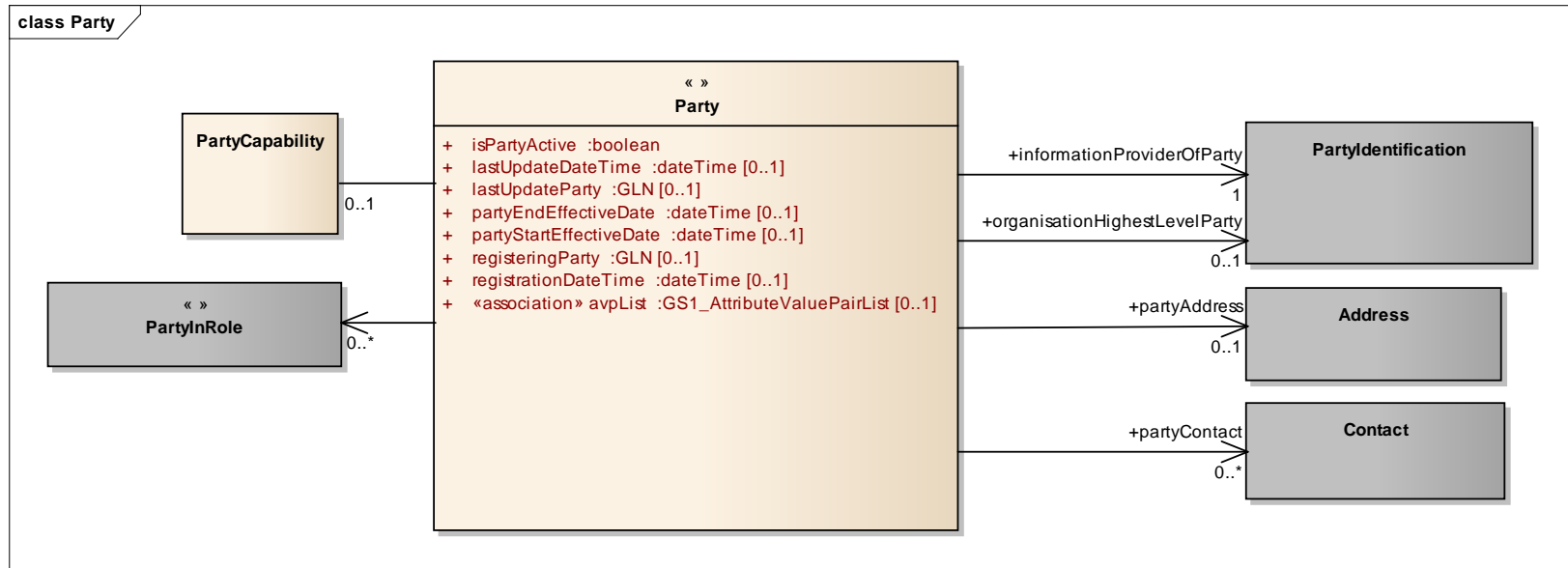
Content	Attribute / Role	Datatype /Secondary class	Multiplicity	Definition
RegistryPartyDataDump				A message containing information on parties registered at the Global Registry.
Generalization		Document		
Association	registryPartyDataDumpIdentification	EntityIdentification	1..1	A unique identifier for the Registry Party Data Dump.
Association		Party	1..*	Detailed information on parties registered at the Global Registry.



Business Message Standard (BMS) Basic Party Synchronisation

Content	Attribute / Role	Datatype /Secondary class	Multiplicity	Definition
Attribute	informationProvider	GLN	1..1	The Global Location Number of the originator of the data. This could either be a data source or a data recipient.
Attribute	informationRecipient	GLN	1..1	Party which is authorized to view, use, download a set of Master Data provided by an Information Provider

3.4.5. Party



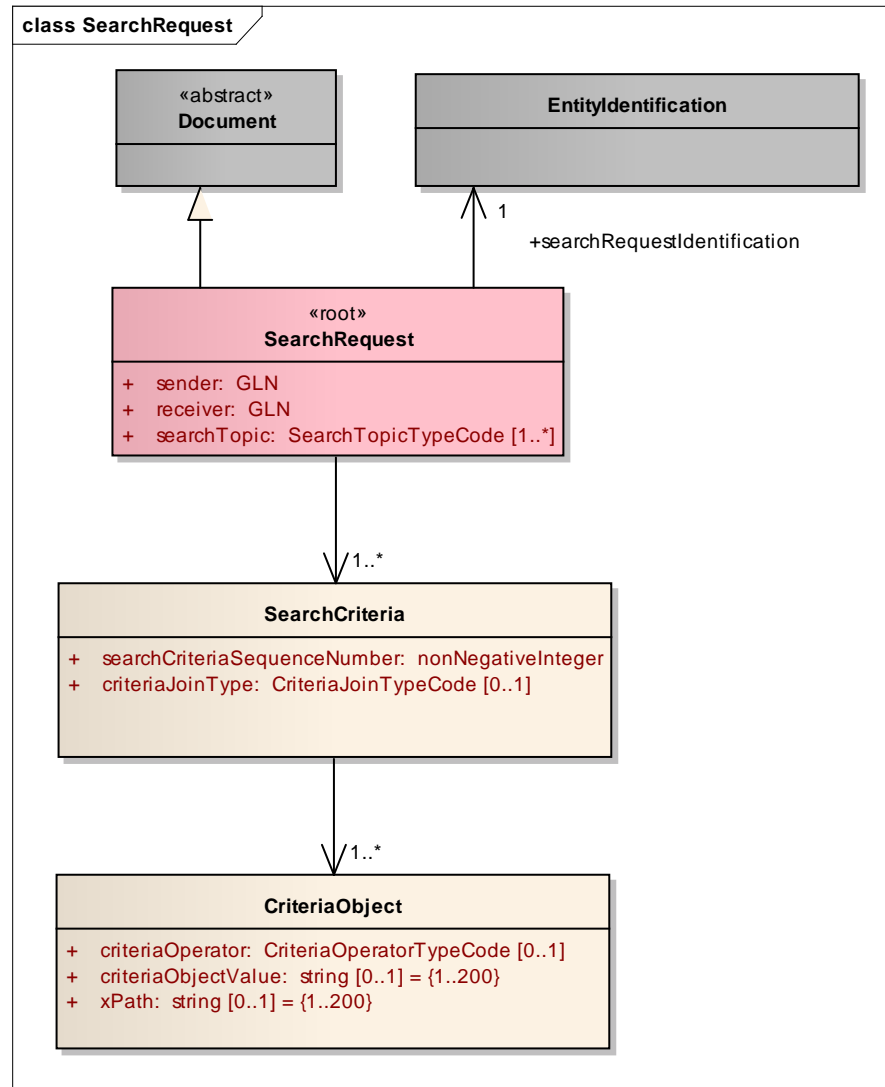
Note: Reference Shared Common Library Business Message (BMS) Release 3.1.0 or in the GDSN Common Library (PartyInRole).

Content	Attribute / Role	Datatype /Secondary class	Multipl icity	Definition
Party				A party registered at the Global Registry.
Association	partyAddress	Address	1..1	Name and address information for a party.
Association	organisationHighestLevelPartyIdentification	PartyIdentification	0..1	The identification of the highest level organisation in a party hierarchy.
Association		PartyCapability	0..*	A process or message capability possessed by the party.



Content	Attribute / Role	Datatype /Secondary class	Multiplicity	Definition
Association	informationProviderOfPartyIdentification	PartyIdentification	1..1	The party identification of the party who owns the party data.
Association		Contact	0..*	Contact information for the party.
Association		PartyInRole	0..*	The name of the party or department associated with the party role.
Attribute	isPartyActive	boolean	1..1	A Boolean field used to express whether the party is active or inactive used for tracking billing.
Attribute	partyEndEffectiveDateTime	dateTime	0..1	The date and time that the party is no longer active.
Attribute	partyStartEffectiveDateTime	dateTime	0..1	The date and time that the party becomes active.
Attribute	registeringParty	GLN	1..1	The GLN of the data pool responsible for creating the party record in the GS1 Global Registry.
Attribute	registrationDateTime	dateTime	1..1	The date and time when the party record is initiated / created in the GS1 Global Registry.
Attribute	lastUpdateParty	GLN	0..1	The Global Location Number of the data pool responsible for modifying / updating the party record in the GS1 GR.
Attribute	lastUpdateDateTime	dateTime	0..1	The date and time when the party record is modified/ updated in the GS1 GR.
Association	avpList	GDSN_AttributeValuePair List	0..1	Attribute value pair information.

3.4.6. Search Request



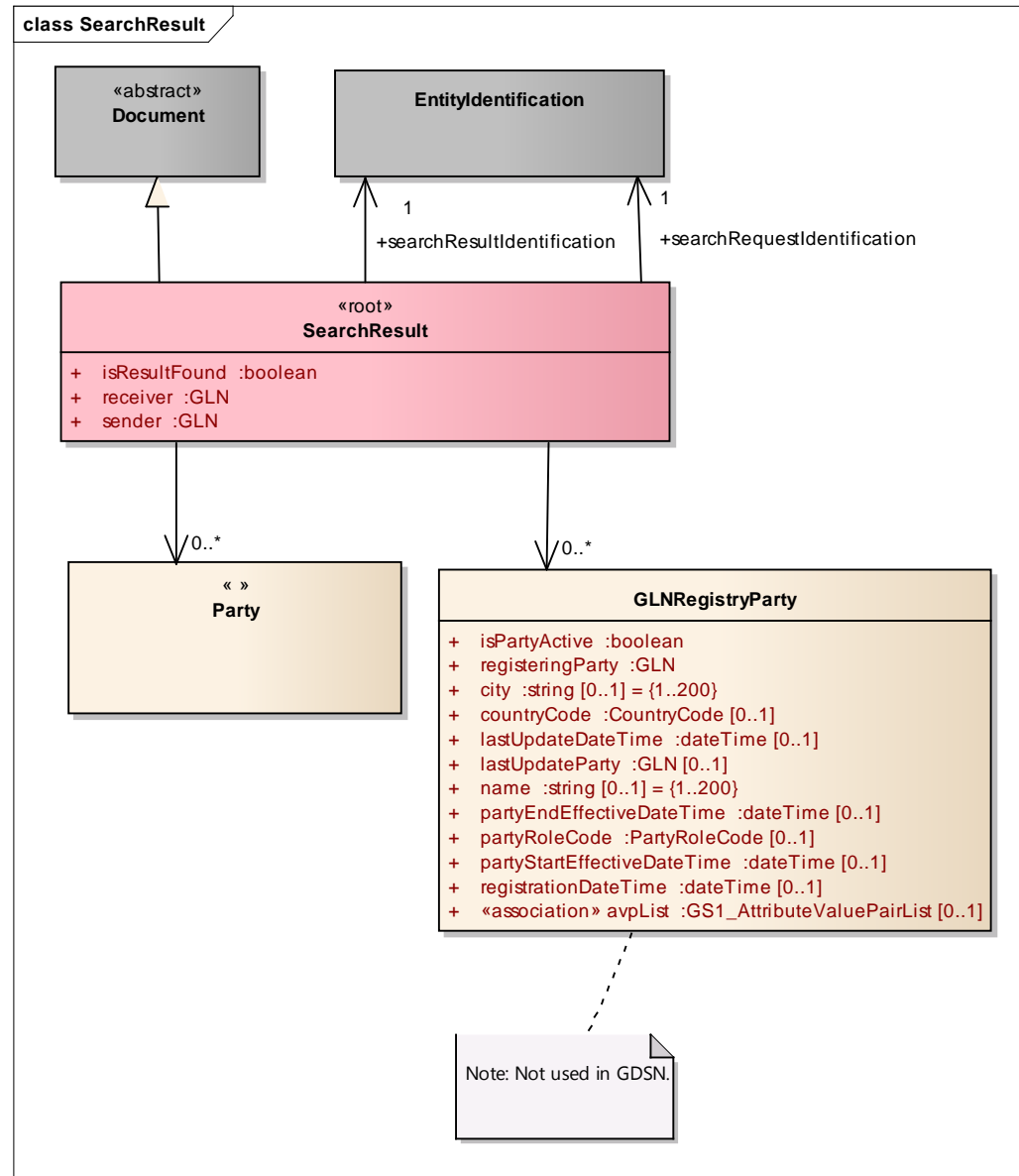
Note: Reference Shared Common Library Business Message (BMS) Release 3.1.0.

Content	Attribute / Role	Datatype /Secondary class	Multiplicity	Definition
CriteriaObject				The values in the data base that are being searched on for example a specific attribute.
Attribute	xPath	string	0..1	The XPath representing a specific attribute in an XML message or data base for example RegistryParty/isPartyActive.
Attribute	criteriaOperator	CriteriaOperatorTypeCode	0..1	The allowable list of Operators that may be used in building search criteria for example EQUAL_TO or GREATER_THAN.
Attribute	criteriaObjectValue	string	0..1	The exact value to be applied in the search. In the following Search Criteria, the GLN value of "0012345000065" is the Object Value: "Party, GLN EQUAL_TO 0614141000012"
SearchCriteria				Criteria used to return values for a specific search.
Association		CriteriaObject	1..*	The values in the data base that are being searched on for example a specific attribute.
Attribute	searchCriteriaSequenceNumber	nonNegativeInteger	1..1	A sequence number for



Content	Attribute / Role	Datatype /Secondary class	Multipl icity	Definition
Attribute	criteriaJoinType	CriteriaJoinTypeCode	0..1	A code that allows adjacent (as defined by Search Criteria Sequence) Search Criteria logic to be linked by adding (AND) or providing more options (OR).
SearchRequest				A request to receive information stored at the Global Registry.
Generalization		Document		
Association	searchRequestIdentification	EntityIdentification	1..1	A unique identification for a search request.
Association		SearchCriteria	1..*	Criteria used to return values for a specific search.
Attribute	sender	GLN	1..1	The party sending the query.
Attribute	receiver	GLN	1..1	The party receiving the query.
Attribute	searchTopic	SearchTopicTypeCode	1..*	The type of information in the Global Registry that is being searched for example Party.

3.4.7. Search Result





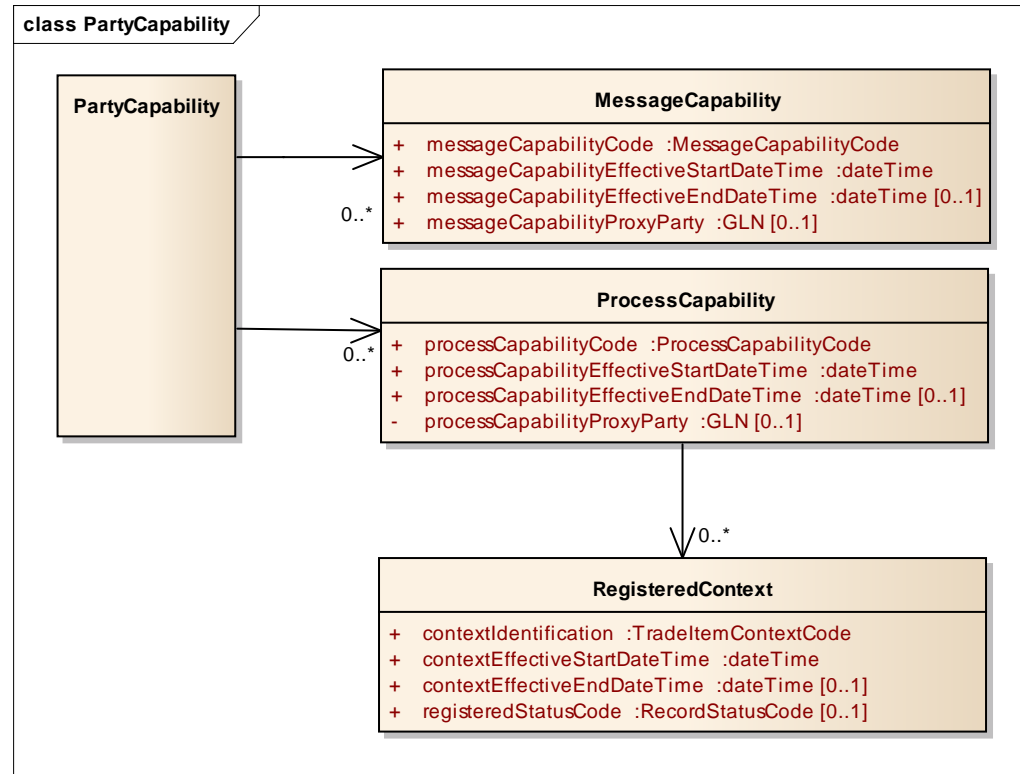
Note: Reference Shared Common Library Business Message (BMS) Release 3.1.0.

Content	Attribute / Role	Datatype /Secondary class	Multiplicity	Definition
SearchResult ☐				A response message detailing the results of a registry search.
Association ☐	searchResultIdentification ☐	EntityIdentification ☐	1..1 ☐	A response message detailing the results of a registry search.
Association ☐	searchRequestIdentification ☐	EntityIdentification ☐	1..1 ☐	The identification of the originating search request.
Generalization ☐	☐	Document ☐	☐	
Association ☐	☐	Party☐	0..* ☐	The party registered at the Global Registry.
Association ☐		GLNRegistryParty	0..*	Party Information stored at the GLN Registry.
Attribute	isResultFound ☐	boolean☐	1..1 ☐	An indicator regarding whether a result to the query has been found.
Attribute	sender ☐	GLN☐	1..1 ☐	The party sending the search result.
Attribute	receiver ☐	GLN☐	1..1 ☐	The receiver (requestor) of the search result.
GLNRegistryParty				Party Information stored at the GLN Registry.
	city	String	0..1	Text specifying the name of the city.
	countryCode	CountryCode	0..1	Code specifying the country for the address.
	isPartyActive	boolean	1..1	A Boolean field used to express whether the party is active or inactive.
	lastUpdateDateTime	DateTime	0..1	The date and time when the party record is modified/ updated.



Content	Attribute / Role	Datatype /Secondary class	Multiplicity	Definition
	lastUpdateParty	GLN	0..1	The Global Location Number of the entity responsible for modifying / updating the party record.
	name	String	0..1	The name of the party expressed in text.
	partyEndEffectiveDateTime	DateTime	0..1	The date and time that the party is no longer active.
	partyRoleCode	partyRoleCode	0..1	A code that identifies the role of a party in a business transaction.
	partyStartEffectiveDateTime	DateTime	0..1	The date and time that the party becomes active.
	registeringParty	GLN	1..1	The entity responsible for creating the party record in the GLN Registry.
	registrationDateTime	DateTime	0..1	The date and time when the party record is initiated / created in the GLN Registry.
Association	avpList	GS1_AttributeValuePairList	0..1	Attribute value pair information.

3.4.8. Process Capability



Note: Reference Shared Common Library Business Message (BMS) Release 3.1.0.

Content	Attribute / Role	Datatype /Secondary class	Multiplicity	Definition
MessageCapability				Provides the party message capability information.
Attribute	messageCapabilityCode	messageCapabilityCode	1..1	A code representing a message that the party is capable of managing for example 5 (Catalogue Item Notification).
Attribute	messageCapabilityEffectiveStartDateTime	dateTime	1..1	The date at which the registration of a message capability is effective.
Attribute	messageCapabilityEffectiveEndDateTime	dateTime	0..1	The date at which the registration of a message capability is no longer effective.
Attribute	messageCapabilityProxyParty	GLN	0..1	A party that has been granted authority to manage a message capability for the registered party.
PartyCapability				A process or message capability possessed by the party.
		MessageCapability	0..*	Provides the party message capability information.
		ProcessCapability	0..*	Provides the party process capability information.
ProcessCapability				Provides the party process capability information.
Association		RegisteredContext	0..*	A Business Context Registered at the Global Registry by a party.

Content	Attribute / Role	Datatype /Secondary class	Multiplicity	Definition
Attribute	processCapabilityCode	ProcessCapabilityCode	1..1	A code representing a process that the party is capable of performing for example trade item synchronisation.
Attribute	processCapabilityEffectiveStartDateTime	dateTime	1..1	The date at which the registration of a process capability is effective.
Attribute	processCapabilityEffectiveEndDateTime	dateTime	0..1	The date at which the registration of a process capability is no longer effective.
Attribute	processCapabilityProxyParty	GLN	0..1	A party that has been granted authority to manage a process capability for the registered party.
RegisteredContext				A context registered at the Global Registry by a party.
Attribute	contextIdentification	TradeItemContextCode	1..1	An identification for a context.
Attribute	contextEffectiveStartDateTime	dateTime	0..1	The date at which the registration of a context is effective.
Attribute	contextEffectiveEndDateTime	dateTime	0..1	The date at which at the registration of a context is no longer effective.
Attribute	registeredStatusCode	RecordStatusCode	0..1	The current record status of a context registered at the Global Registry for example Added, Deleted, Changed.

3.5. Code Lists

3.5.1. Message Capability Code

GS1 Code List	MessageCapabilityCode	
GS1 Code List Version	R1	
Managing Agency	GS1	
Based on Code List	Entity Type Code	
Type Of Management	Restricted and Extended	
Code Value	Code Name	Code Definition
3	Catalogue Item Confirmation	This refers to electronic communication from the Data Recipient to the Data Source indicating what action has been taken on the item
5	Catalogue Item Notification	A business message used to transmit new or updated trade item information from a Source Data Pool to a Recipient Data Pool and further to the Data Recipient within the Global Data Synchronisation Network.
6	Catalogue Item Publication	A business message standard from the Data Source to the Source Data Pool to publish an item within the Global Data Synchronisation Network. The CIP can be used to publish the item to a specific Data Recipient or a specific Target Market.
7	Catalogue Item Registration Response	A business message used to notify a data pool of the status of the registration in the Global Registry for a trade item.
8	Catalogue Item Subscription	A business message used by the Data Recipient to establish a request for trade item information. The subscription criteria can be any combination of the GTIN, GLN, Target Market and GPC at the exception of the combination with GTIN and GPC that are mutually exclusive. The Recipient Data Pool will forward the CIS to the GS1 Global Registry.
29	GS1 Exception	A standard message used to express exceptions within GDSN that happen at the Document, Command, Message, Transaction or Attribute Level.
51	Registry Catalogue Item	A business message used to register basic Catalogue Item information from the Data Source to

		the GS1 Global Registry via the Source Data Pool within the GDSN (Global Data Synchronisation Network).
54	Request For Catalogue Item Notification	The RFCIN allows a Recipient to request data from the Source after synchronisation has taken place, as well as to allow the retailer to undo a CIC REJECTED.
58	Search Request	A request to receive information stored at the Global Registry.
59	Search Result	A response message detailing the results of a registry search.
83	Basic Party Registration	A message used to register parties at the Global Registry.
84	Registry Party Data Dump	A message containing information on parties registered at the Global Registry.
85	Party Registration Response	A response message from the Global Registry regarding the status of a party registration.
86	Catalogue Item Authorisation	A document used to authorise or de-authorise an item for sale to one or many business locations.
87	Catalogue Item Authorisation Response	Response Document used to Accept or Reject a Catalogue Item Authorisation.
88	Catalogue Item Hierarchical Withdrawal	A business message used to transmit trade item information from a data source or a data pool to a data recipient with the Global Data Synchronisation Network with regards to a correction that is required to an item hierarchy that has already been synchronised. □
89	GS1 Response	The standard response sent within the GDSN.

3.5.2. Record Status Code

GS1 Code List	RecordStatusCode	
GS1 Code List Version	R1	
Managing Agency	GS1	
Based on Code List	n/a	
Type Of Management	n/a	
Code Value	Code Name	Code Definition
ADDED	Added	A new record has been added to the data base.
CHANGED	Changed	An existing record has been updated.
DELETED	Deleted	An existing record has been deleted.
NOT_FOUND	Not Found	No record found.

3.5.3. Search Topic Type Code

GS1 Code List	Search Topic Type Code	
GS1 Code List Version	R1	
Managing Agency	GS1	
Based on Code List	n/a	
Type Of Management	n/a	
Code Value	Code Name	Code Definition
PARTY	Party	Information relating to a party in GDSN
PARTY_MESSAGE_CAPABILITY	Party Message Capability	All Information relating to the message capabilities of a party
PARTY_PROCESS_CAPABILITY	Party Process Capability	All Information relating to the process capabilities of a party including registered contexts and effective dates of registered contexts.
REGISTRY_CATALOGUE_ITEM	Registry Catalogue Item	Information related to an item stored in the GDS Global Registry
TRADE_ITEM	Trade Item	Information related to a trade item in GDSN

3.5.4. Process Capability Code

GS1 Code List	Process Capability Code	
GS1 Code List Version	R1	
Managing Agency	GS1	
Based on Code List	n/a	
Type Of Management	n/a	
Code Value	Code Name	Code Definition
DATA_SYNCHRONISATION		The process of continuous harmonisation of information between all trading partners ensures that the master data is the same in all trading partners systems.
ITEM_AUTHORISATION		The act of granting permission to sell (or deliver) an item at a specific location or groups of locations where the authorisation could be triggered by either trading partner depending on the buying and selling relationship through GDSN.
ITEM_FUTURISATION		The process framework for communicating information related to future trade item version information using the Global Data Synchronisation Network (GDSN).
PARTY_SYNCHRONISATION		The process of synchronising party Master Data through GDSN.
PRICE_SYNCHRONISATION		The process of synchronising price information through GDSN.

4. Business Document Example

BasicPartyRegistration	
BasicPartyRegistration	
Document	
creationDateTime	2011-03-11 11:00
documentStatus	ORIGINAL
EntityIdentification	
- entityIdentification	20051101
PartyIdentification (contentOwner)	
- gln	8712345678913
TransmittingDataPool	0022345000010
partyDataPool	0013345000010
Party	
isPartyActive	True

BasicPartyRegistration	
<i>lastUpdateDateTime</i>	2013-01-10T12:00:01.000-05:00
registeringParty	0032334500010
PartyIdentification (informationProviderOfParty)	
- gln	6712345678913
PartyIdentification (organisationHighestLevelParty)	
- gln	6712345678913
Address	
city	Atlanta
countryCode	123
languageOfThePartyCode	en
name	Mondial Distribution
pOBoxNumber	15
postalCode	07654
state	Georgia
streetAddressOne	1 Peachtree Avenue
streetAddressTwo	Suite 911
PartyInRole	
partyName	Shipping
partyRole	DISTRIBUTOR
Contact	
contactTypeCode	AP
personName	Bill Vasserneuse
communicationChannelCode	TELEPHONE
communicationValue	3738388383
PartyCapability	
ProcessCapabilityInformation	
processCapabilityCode	DATA_SYNCHRONISATION
processCapabilityEffectiveStartDateTime	2012-04-03 11:00
RegisteredContext	
contextIdentification	1
contextEffectiveStartDateTime	2012-04-03 11:00

PartyRegistrationResponse	
BasicPartyRegistrationResponse	
partyRegistrationResponseIdentification	
- entityIdentification	20051101
PartyIdentification (contentOwner)	
- gln	8712345678913
partyReference	0032345000010
responseStatusCode	ACCEPTED
PartyRegistrationInformation	
lastChangeDate	2013-01-10T12:00:01.000-05:00
registrationDate	2013-01-10T12:00:01.000-05:00

RegistryPartyDataDump	
RegistryPartyDataDump	
EntityIdentification	
- entityIdentification	20051101
PartyIdentification (contentOwner)	
- gln	8712345678913
informationProvider	0022345000010
informationRecipient	0013345000010
Party	
isPartyActive	True
lastUpdateDateTime	2013-01-10T12:00:01.000-05:00
registeringParty	0032334500010
PartyIdentification (informationProviderOfParty)	
- gln	6712345678913
PartyIdentification (organisationHighestLevelParty)	
- gln	6712345678913
Address	
city	Atlanta
countryCode	123
languageOfThePartyCode	en
name	Mondial Distribution
pOBoxNumber	15
postalCode	07654

RegistryPartyDataDump	
state	Georgia
streetAddressOne	1 Peachtree Avenue
streetAddressTwo	Suite 911
PartyInRole	
partyName	Shipping
partyRole	DISTRIBUTOR
Contact	
contactTypeCode	AP
personName	Bill Vasserneuse
communicationChannelCode	TELEPHONE
communicationValue	3738388383
PartyCapability	
ProcessCapabilityInformation	
processCapabilityCode	DATA_SYNCHRONISATION
processCapabilityEffectiveStartDateTime	2012-04-03 11:00
RegisteredContext	
contextIdentification	1
contextEffectiveStartDateTime	2012-04-03 11:00

SearchRequest	
SearchRequest	
sender	0022345000010
receiver	0013345000010
searchTopic	PARTY_PROCESS_CAPABILITY
EntityIdentification	
- entityIdentification	20051101
PartyIdentification (contentOwner)	
- gln	8712345678913
SearchCriteria	
searchCriteriaSequenceNumber	1
CriteriaObject	
xPath	RegistryParty/informationProviderOfParty/PartyIdentification/gln
criteriaOperator	EQUAL_TO
criteriaObjectValue	6712345678913

SearchResult	
SearchResult	
sender	0022345000010
receiver	0013345000010
isResultFound	TRUE
EntityIdentification (searchRequestIdentification)	
- entityIdentification	20051101
PartyIdentification (contentOwner)	
- gln	8712345678913
EntityIdentification (searchResultIdentification)	
- entityIdentification	10051101
PartyIdentification (contentOwner)	
- gln	0013345000010
Party	
isPartyActive	True
PartyIdentification (informationProviderOfParty)	
- gln	6712345678913
PartyCapability	
ProcessCapabilityInformation	
processCapabilityCode	DATA_SYNCHRONISATION
processCapabilityEffectiveStartDateTime	2012-04-03 11:00

5. Implementation Considerations

Not Applicable.

6. Appendices

6.1. Glossary

Term	Description
Additional Party Identification Number.	An identifier that allows a progression of existing id's that may be used to identify organizations (for example in the U.S. companies frequently use Duns+4, Retailer Assigned Store #, etc. to identify locations)
Communication Channel Code	The identifiers used for communicating with a party, for example, their telephone number, email address, physical address etc.
Information Provider GLN	The Global Location Number of the originator of the data. This could either be a data source or a data recipient.
Party	A business entity.
Party Name	The textual identification of the party.
Party Role	An attribute which defines the relationships of the Party.
Primary Contact Name	Attributes which identify and detail the textual identification of a person name or department name and their communication channels. There could be one or more for a party.
Registration Date	The date and time when the party record is initiated / created in the GS1 GR.

7. Summary of Changes

Change	BSD Version	Associated CR Number
<ul style="list-style-type: none"> Updated sequencing for entity identification Updated sample data. 	0.0.3	
<ul style="list-style-type: none"> Created PartyCapability Class Added MessageCapability class to PartyCapability. Added MessageCapabilityCode data type and code list. Changes association from Party to Process Capability to Party Capability, Added AVP to RegistryParty (Party) Added values to ProcessCapability code list for Price Sync, Party Sync, Item Authorisation and Item Futurisation. Changed RegistryParty Class name to Party Added GLNRegistryParty to SearchResult Message. Changed businessContextIdentification to contextIdentification. Changed data type to TradeItemContextCode Changed businessContextEffectiveStartDate and businessContextEffectiveEndDate to contextEffectiveStartDateTime and contextEffectiveEndDateTime. 	0.0.4	



Change	BSD Version	Associated CR Number
<ul style="list-style-type: none">Removed line numbersSwitched from "Draft" to "Issue"	0.0.5	