

EANCOM[®] 2002 S4

GENERAL

General purpose message

Edition 2016

1. Introduction.....	2
2. Message Structure Chart	3
3. Branching Diagram.....	4
4. Segments Description	5
5. Segments Layout.....	7
6. Example(s)	28

1. Introduction

Status

MESSAGE TYPE : GENERAL
REFERENCE DIRECTORY : D.01B
EANCOM® SUBSET VERSION : 005

Definition

A message to enable the transmission of agreed textual information.

Principles

A General Message may be used to send general application support information to one or multiple addresses.

A General Message may be used to send required data for which there is no specific standard message.

A General Message MUST not be used as a substitute for an existing UNSM under development, under trial or at approved status or any EANCOM® subset of former UNSM's. Nor should it be used to avoid the development of a more specific application message.

The General Message is not designed or intended to be used as a replacement for existing electronic mail systems.

The General Message was designed primarily to:

- Facilitate early transmission testing between new EDI partners
- Broadcasting of known problem areas to EDI partners
- Transmission of text (preferably structured or coded) to supplement or further clarify previously transmitted EDI Standard Messages, e.g. to stress that previous data is for test purposes only or contains known errors to test out error routines
- Transmission of small amounts of structured text where no existing message exists, e.g. computer listings

2. Message Structure Chart

General Message Heading Section

UNH	1	M	1	- Message header
BGM	2	M	1	- Beginning of message
DTM	3	C	1	- Date/time/period
SG1		C	10	- RFF-DTM
RFF	4	M	1	- Reference
DTM	5	C	10	- Date/time/period
SG2		C	2	- NAD-SG3-SG4
NAD	6	M	1	- Name and address
SG3		C	10	- RFF-DTM
RFF	7	M	1	- Reference
DTM	8	C	10	- Date/time/period
SG4		C	5	- CTA-COM
CTA	9	M	1	- Contact information
COM	10	C	9	- Communication contact

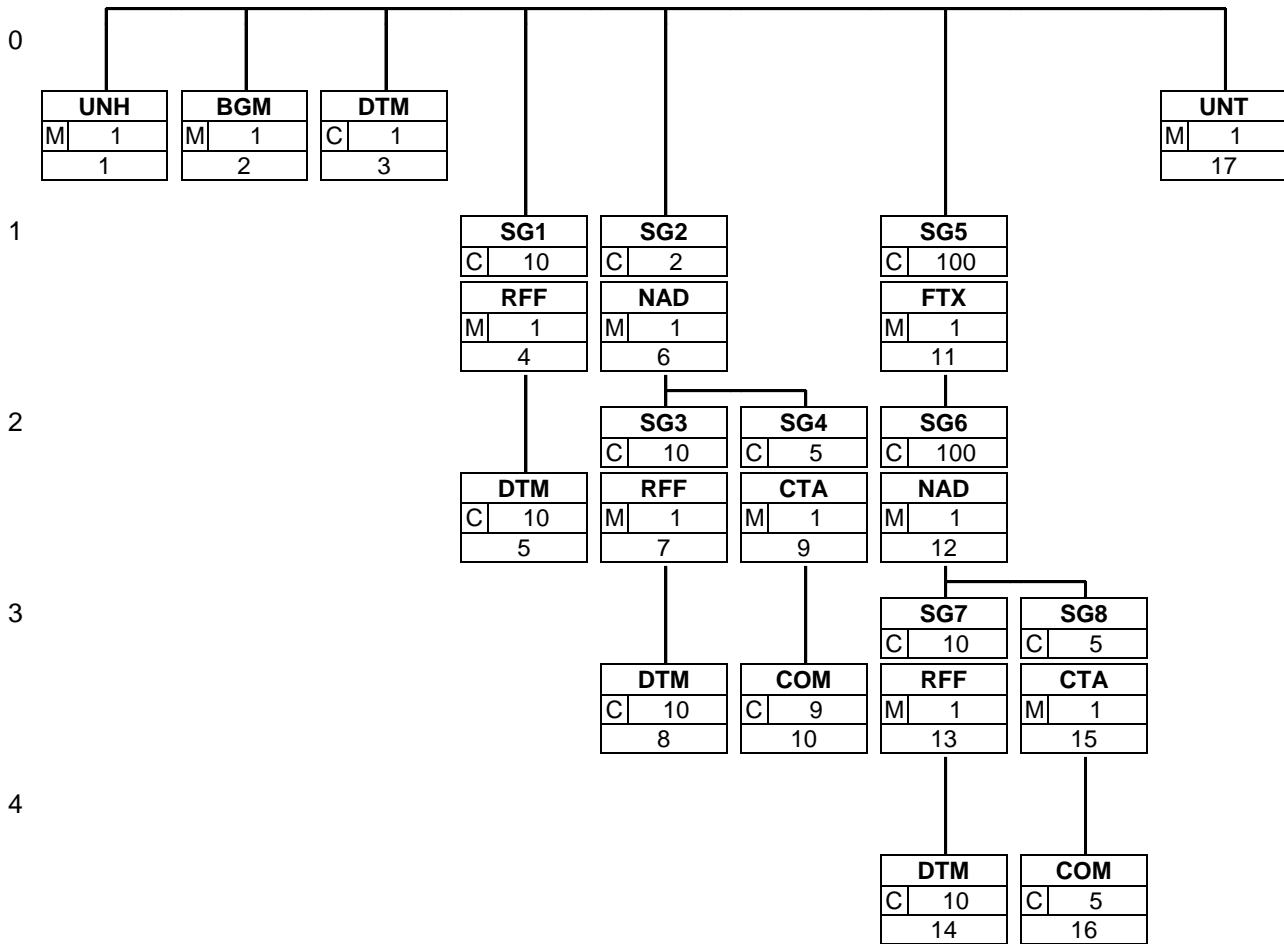
General Message Detail Section

SG5		C	100	- FTX-SG6
FTX	11	M	1	- Free text
SG6		C	100	- NAD-SG7-SG8
NAD	12	M	1	- Name and address
SG7		C	10	- RFF-DTM
RFF	13	M	1	- Reference
DTM	14	C	10	- Date/time/period
SG8		C	5	- CTA-COM
CTA	15	M	1	- Contact information
COM	16	C	5	- Communication contact

General Message Summary Section

UNT	17	M	1	- Message trailer
-----	----	---	---	-------------------

3. Branching Diagram



4. Segments Description

General Message Heading Section

- UNH - M 1 - Message header
This segment is used to head, identify and specify a message.
- BGM - M 1 - Beginning of message
This segment is used to indicate the type and function of a message and to transmit the identifying number.
- DTM - C 1 - Date/time/period
This segment is used to specify the date of the General message.
- SG1** - C 10 - **RFF-DTM**
A group of segments giving references where necessary, their dates relating to the whole message, e.g. despatch advice, contract number.
- RFF - M 1 - Reference
This segment is used to specify references which relate to the, for example, Purchase Order Numbers.
- DTM - C 10 - Date/time/period
This segment is used to specify dates relating to the references given in the previous RFF segment.
- SG2** - C 2 - **NAD-SG3-SG4**
A group of segments identifying names, addresses and locations, and referred documents relevant for the whole Genral message.
- NAD - M 1 - Name and address
This segment is used to identify the trading parties involved in the general message. Identification of the sender and receiver of the general message is mandatory.
- SG3** - C 10 - **RFF-DTM**
A group of segments giving references only relevant to the specified party rather than to the whole message.
- RFF - M 1 - Reference
This segment is used to specify reference numbers related to the party identified in the previous NAD segment, e.g., Vat Registration Numbers.
- DTM - C 10 - Date/time/period
This segment is used to specify dates relating to the references given in the previous RFF segment.
- SG4** - C 5 - **CTA-COM**
A group of segments giving contacts details of the specific person or department within the party identified in the NAD segment.
- CTA - M 1 - Contact information
This segment may be used to identify the department and/or person within the party specified in the NAD.
- COM - C 9 - Communication contact
This segment is used to identify the communications number and the type of communications used for the person or department identified in the CTA segment.

General Message Detail Section

- SG5** - C 100 - **FTX-SG6**
A group of segments enabling the specification of the text and optionally, the identification of other parties or location to whom the information should be directed.

4. Segments Description

FTX - M 1	- Free text	This segment is used to provide free text or coded information. The detail section of the general message is formed by a repeating group of segments always starting with the FTX segment. Each FTX segment corresponds to different textual information.
SG6 - C 100	- NAD-SG7-SG8	A group of segments allowing the specification of the name and address of a party, within the receiving party identified in the heading section, to whom the preceding text should be distributed. It also allows to specify the name and address of a party advised as copyreader of this text.
NAD - M 1	- Name and address	This segment is used to identify any parties who must be notified on the content of the message contained in the previous FTX segment.
SG7 - C 10	- RFF-DTM	A group of segments giving references only relevant to the specified party rather than the whole message.
RFF - M 1	- Reference	This segment is used to specify any references relevant to the party identified in the previous NAD segment.
DTM - C 10	- Date/time/period	This segment is used to specify any dates related to the references provided in the previous RFF segment.
SG8 - C 5	- CTA-COM	A group of segments giving contact details of the specific person or department within the party identified in the NAD segment.
CTA - M 1	- Contact information	This segment is used to identify the department and/or person within the party specified in the NAD.
COM - C 5	- Communication contact	This segment is used to identify the communications number and the type of communications used for the person or department identified in the CTA segment.

General Message Summary Section

UNT - M 1	- Message trailer	This segment is a mandatory UN/EDIFACT segment. It must always be the last segment in the message.
-----------	-------------------	--

5. Segments Layout

This section describes each segment used in the EANCOM® General message. The original EDIFACT segment layout is listed. The appropriate comments relevant to the EANCOM® subset are indicated.

Notes:

1. The segments are presented in the sequence in which they appear in the message. The segment or segment group tag is followed by the (M)andatory / (C)onditional indicator, the maximum number of occurrences and the segment description.
2. Reading from left to right, in column one, the data element tags and descriptions are shown, followed by in the second column the EDIFACT status (M or C), the field format, and the picture of the data elements. These first pieces of information constitute the original EDIFACT segment layout.

Following the EDIFACT information, EANCOM® specific information is provided in the third, fourth, and fifth columns. In the third column a status indicator for the use of (C)onditional EDIFACT data elements (see 2.1 through 2.3 below), in the fourth column the restricted indicator (see point 3 on the following page), and in the fifth column notes and code values used for specific data elements in the message.

- 2.1 (M)andatory data elements in EDIFACT segments retain their status in EANCOM®.
- 2.2 Additionally, there are five types of status for data elements with a (C)onditional EDIFACT status, whether for simple, component or composite data elements. These are listed below and can be identified when relevant by the following abbreviations:

- REQUIRED	R	Indicates that the entity is required and must be sent.
- ADVISED	A	Indicates that the entity is advised or recommended.
- DEPENDENT	D	Indicates that the entity must be sent in certain conditions, as defined by the relevant explanatory note.
- OPTIONAL	O	Indicates that the entity is optional and may be sent at the discretion of the user.
- NOT USED	N	Indicates that the entity is not used and should be omitted.

- 2.3 If a composite is flagged as **N, NOT USED**, all data elements within that composite will have blank status indicators assigned to them.
3. Status indicators detailed in the fourth column which directly relate to the code values detailed in the fifth **column** may have two values:

- RESTRICTED	*	A data element marked with an asterisk (*) in the fourth column indicates that the listed codes in column five are the only codes available for use with this data element, in this segment, in this message.
- OPEN		All data elements where coded representation of data is possible and a restricted set of code values is not indicated are open (no asterisk in fourth column). The available codes are listed in the EANCOM® Data Elements and Code Sets Directory. Code values may be given as examples or there may be a note on the format or type of code to be used.

4. Different colours are used for the code values in the segment details: restricted codes are in red and open codes in blue.

5. Segments Layout

Segment number: 1

UNH - M 1 - Message header		EDIFACT	GS1	*	Description
Function: To head, identify and specify a message.					
Notes: 1. Data element S009/0057 is retained for upward compatibility. The use of S016 and/or S017 is encouraged in preference. 2. The combination of the values carried in data elements 0062 and S009 shall be used to identify uniquely the message within its group (if used) or if not used, within its interchange, for the purpose of acknowledgement.					
0062	Message reference number	M an..14	M		Senders unique message reference. Sequence number of messages in the interchange. DE 0062 in the UNT will have the same value. This number is generated by the sender.
S009	MESSAGE IDENTIFIER	M	M		
0065	Message type	M an..6	M	*	GENRAL = General purpose message
0052	Message version number	M an..3	M	*	D = Draft version/UN/EDIFACT Directory
0054	Message release number	M an..3	M	*	01B = Release 2001 - B
0051	Controlling agency, coded	M an..3	M	*	UN = UN/CEFACT
0057	Association assigned code	C an..6	R	*	EAN005 = GS1 version control number (GS1 Permanent Code) Indicates that the message is the EANCOM version 005 of the General message.
0110	Code list directory version number	C an..6	O		This data element can be used to identify the codelist agreed by the interchange partners, e.g. EAN001 = EANCOM 2002 S4 codelist released on 01.12.2002 by GS1.
0113	Message type sub-function identification	C an..6	N		
0068	Common access reference	C an..35	N		
S010	STATUS OF THE TRANSFER	C	N		
0070	Sequence of transfers	M n..2			
0073	First and last transfer	C a1			
S016	MESSAGE SUBSET IDENTIFICATION	C	N		
0115	Message subset identification	M an..14			
0116	Message subset version number	C an..3			
0118	Message subset release number	C an..3			
0051	Controlling agency, coded	C an..3			
S017	MESSAGE IMPLEMENTATION GUIDELINE IDENTIFICATION	C	N		
0121	Message implementation guideline identification	M an..14			
0122	Message implementation guideline version number	C an..3			

5. Segments Layout

Segment number: 1

	EDIFACT	GS1	*	Description
0124 Message implementation guideline release number	C an..3			
0051 Controlling agency, coded	C an..3			
S018 SCENARIO IDENTIFICATION	C	N		
0127 Scenario identification	Man..14			
0128 Scenario version number	C an..3			
0130 Scenario release number	C an..3			
0051 Controlling agency, coded	C an..3			

Segment Notes:

This segment is used to head, identify and specify a message.

DE's 0065, 0052, 0054, and 0051: Indicate that the message is a UNSM General message based on the D.01B directory under the control of the United Nations.

Example:

UNH+ME000001+GENERAL:D:01B:UN:EAN005'

5. Segments Layout

Segment number: 2

BGM - M 1 - Beginning of message					
Function: To indicate the type and function of a message and to transmit the identifying number.					
		EDIFACT	GS1	*	Description
C002	DOCUMENT/MESSAGE NAME	C	R		
1001	Document name code	C an..3	R	*	14E = General message (GS1 Temporary Code)
1131	Code list identification code	C an..17	N		
3055	Code list responsible agency code	C an..3	R	*	9 = GS1
1000	Document name	C an..35	O		
C106	DOCUMENT/MESSAGE IDENTIFICATION	C	R		
1004	Document identifier	C an..35	R		General Message Number assigned by the sender For global unique identification of documents Global Document Type Identifier (GDTI) is available.
1056	Version identifier	C an..9	N		
1060	Revision identifier	C an..6	N		
1225	Message function code	C an..3	R	*	9 = Original The message function, coded is a critical data element in this segment. It applies to all data indicated in the message. The following definitions apply for the restricted codes: 9 = Original - An original transmission of a General message
4343	Response type code	C an..3	D		AC = Acknowledge - with detail and change AI = Acknowledge only changes NA = No acknowledgement needed This DE is used if the general message issuer wishes to explicitly indicate whether an acknowledgement is required or not.
Segment Notes: This segment is used to indicate the type and function of a message and to transmit the identifying number. All references other than the document number DE 1004 are in the RFF segment. Example: BGM+14E::9+GE282+9'					

5. Segments Layout

Segment number: 3

DTM - C 1 - Date/time/period		EDIFACT	GS1	*	Description
Function: To specify date, and/or time, or period.					
C507	DATE/TIME/PERIOD	M	M		
2005	Date or time or period function code qualifier	Man..3	M	*	137 = Document/message date/time
2380	Date or time or period value	C an..35	R		
2379	Date or time or period format code	C an..3	R		102 = CCYYMMDD 718 = CCYYMMDD-CCYYMMDD
Segment Notes: This segment is used to specify the date of the General message. DE 2005: Identification of the 'Document/message date/time' (code value 137) is mandatory in an EANCOM message. Example: DTM+137:20020106:102'					

5. Segments Layout

Segment number: 4

SG1	- C	10 - RFF-DTM			
RFF	- M	1 - Reference			
Function:					
To specify a reference.					
		EDIFACT	GS1	*	Description
C506	REFERENCE	M	M		
1153	Reference code qualifier	Man..3	M		CT = Contract number IV = Invoice number ON = Order number (buyer) PL = Price list number
1154	Reference identifier	C an..70	R		
1156	Document line identifier	C an..6	N		
4000	Reference version identifier	C an..35	N		
1060	Revision identifier	C an..6	N		
Segment Notes:					
This segment is used to specify references which relate to the, for example, Purchase Order Numbers.					
Example:					
RFF+ON:930625'					

5. Segments Layout

Segment number: 5

SG1	- C	10 - RFF-DTM			
DTM	- C	10 - Date/time/period			
Function:					
To specify date, and/or time, or period.					
		EDIFACT	GS1	*	Description
C507	DATE/TIME/PERIOD	M	M		
2005	Date or time or period function code qualifier	Man..3	M	*	171 = Reference date/time
2380	Date or time or period value	C an..35	R		
2379	Date or time or period format code	C an..3	R		102 = CCYYMMDD 718 = CCYYMMDD-CCYYMMDD
Segment Notes:					
This segment is used to specify dates relating to the references given in the previous RFF segment.					
Example:					
DTM+171:20020827:102'					

5. Segments Layout

Segment number: 6

SG2	- C	2 - NAD-SG3-SG4			
NAD	- M	1 - Name and address			
Function:					
To specify the name/address and their related function, either by C082 only and/or unstructured by C058 or structured by C080 thru 3207.					
		EDIFACT	GS1	*	Description
3035	Party function code qualifier	M an..3	M		FR = Message from MR = Message recipient
C082	PARTY IDENTIFICATION DETAILS	C	A		
3039	Party identifier	M an..35	M		For identification of parties it is recommended to use GLN - Format n13.
1131	Code list identification code	C an..17	N		
3055	Code list responsible agency code	C an..3	R	*	9 = GS1
C058	NAME AND ADDRESS	C	O		This composite may only be used to fulfill the requirements of directive 2003/58/EC, article 4.
3124	Name and address description	M an..35	M		
3124	Name and address description	C an..35	O		
3124	Name and address description	C an..35	O		
3124	Name and address description	C an..35	O		
3124	Name and address description	C an..35	O		
C080	PARTY NAME	C	D		
3036	Party name	M an..35	M		Party Name in clear text.
3036	Party name	C an..35	O		
3036	Party name	C an..35	O		
3036	Party name	C an..35	O		
3036	Party name	C an..35	O		
3036	Party name	C an..35	O		
3045	Party name format code	C an..3	O		
C059	STREET	C	D		
3042	Street and number or post office box identifier	M an..35	M		Building Name/Number and Street
3042	Street and number or post office box identifier	C an..35	O		Name and/or P.O. Box.
3042	Street and number or post office box identifier	C an..35	O		
3042	Street and number or post office box identifier	C an..35	O		
3164	City name	C an..35	D		City/Town name, clear text
C819	COUNTRY SUB-ENTITY DETAILS	C	D		
3229	Country sub-entity name code	C an..9	O		
1131	Code list identification code	C an..17	O		
3055	Code list responsible agency code	C an..3	O		

5. Segments Layout

Segment number: 6

	EDIFACT	GS1	*	Description
3228 Country sub-entity name	C an..70	O		County/State, clear text.
3251 Postal identification code	C an..17	D		Postal Code
3207 Country name code	C an..3	D		ISO 3166 two alpha code

Segment Notes:

This segment is used to identify the trading parties involved in the general message. Identification of the sender and receiver of the general message is mandatory.

Example:

NAD+FR+5456789000017::9'
 NAD+MR+3323456007896::9'

Dependency Notes:

The following composites and data elements are only used when a coded name and address can not be used. The affected composites and data elements are as follows:

C080 - C059 - 3164 - C819 - 3251 - 3207

5. Segments Layout

Segment number: 7

SG2	- C	2 - NAD-SG3-SG4			
SG3	- C	10 - RFF-DTM			
RFF	- M	1 - Reference			
Function:					
To specify a reference.					
		EDIFACT	GS1	*	Description
C506	REFERENCE	M	M		
1153	Reference code qualifier	Man..3	M	*	YC1 = Additional party identification (GS1 Temporary Code) FC = Fiscal number GN = Government reference number VA = VAT registration number
1154	Reference identifier	C an..70	R		
1156	Document line identifier	C an..6	N		
4000	Reference version identifier	C an..35	N		
1060	Revision identifier	C an..6	N		
Segment Notes:					
This segment is used to specify reference numbers related to the party identified in the previous NAD segment, e.g., Vat Registration Numbers.					
Example: RFF+VA:VR123554'					

5. Segments Layout

Segment number: 8

SG2	- C	2 - NAD-SG3-SG4			
SG3	- C	10 - RFF-DTM			
DTM	- C	10 - Date/time/period			
Function: To specify date, and/or time, or period.					
		EDIFACT	GS1	*	Description
C507	DATE/TIME/PERIOD	M	M		
2005	Date or time or period function code qualifier	M an..3	M	*	171 = Reference date/time
2380	Date or time or period value	C an..35	R		
2379	Date or time or period format code	C an..3	R		102 = CCYYMMDD 718 = CCYYMMDD-CCYYMMDD
Segment Notes: This segment is used to specify dates relating to the references given in the previous RFF segment.					
Example: DTM+171:20020827:102'					

5. Segments Layout

Segment number: 9

SG2	- C	2 - NAD-SG3-SG4		
SG4	- C	5 - CTA-COM		
CTA	- M	1 - Contact information		
Function:				
To identify a person or a department to whom communication should be directed.				
	EDIFACT	GS1	*	Description
3139	Contact function code	C an..3	R	
				PM = Product management contact SA = Sales administration SR = Sales representative or department
C056	DEPARTMENT OR EMPLOYEE DETAILS	C	O	
3413	Department or employee name code	C an..17	O	
3412	Department or employee name	C an..35	O	
Segment Notes:				
This segment may be used to identify the department and/or person within the party specified in the NAD. The Global Location Number GLN is particularly suitable for this purpose.				
Example: CTA+SA+:GEORGE BERRY'				

5. Segments Layout

Segment number: 10

SG2	- C	2 - NAD-SG3-SG4			
SG4	- C	5 - CTA-COM			
COM	- C	9 - Communication contact			
Function:					
To identify a communication number of a department or a person to whom communication should be directed.					
		EDIFACT	GS1	*	Description
C076	COMMUNICATION CONTACT	M	M		
3148	Communication address identifier	Man..512	M		
3155	Communication address code qualifier	Man..3	M		EM = Electronic mail TE = Telephone AO = Uniform Resource Location (URL)
Segment Notes:					
This segment is used to identify the communications number and the type of communications used for the person or department identified in the CTA segment.					
Example:					
COM+00447188755112:TE'					

5. Segments Layout

Segment number: 11

SG5	- C	100 - FTX-SG6			
FTX	- M	1 - Free text			
Function:					
To provide free form or coded text information.					
		EDIFACT	GS1	*	Description
4451	Text subject code qualifier	M an..3	M		ADK = Promotion information INV = Invoice instruction ITS = Testing instructions ORI = Order instruction PRD = Product information PUR = Purchasing information
4453	Free text function code	C an..3	O		1 = Text for subsequent use 2 = Text replacing missing code 3 = Text for immediate use
C107	TEXT REFERENCE	C	D		References to a standard text. This composite is only used when trading partners have agreed to use mutually defined code values.
4441	Free text value code	Man..17	M		001 = ...Standard text...
1131	Code list identification code	C an..17	O		
3055	Code list responsible agency code	C an..3	D		91 = Assigned by supplier or supplier's agent 92 = Assigned by buyer or buyer's agent
C108	TEXT LITERAL	C	D		This composite is only used if coded text can not be used.
4440	Free text value	Man..512	M		
4440	Free text value	C an..512	O		
4440	Free text value	C an..512	O		
4440	Free text value	C an..512	O		
4440	Free text value	C an..512	O		
3453	Language name code	C an..3	D		ISO 639 two alpha code This data element is only used when non coded free text has been provided in data element C108.
4447	Free text format code	C an..3	N		
Segment Notes:					
<p>This segment is used to provide free text or coded information. The detail section of the general message is formed by a repeating group of segments always starting with the FTX segment. Each FTX segment corresponds to different textual information.</p> <p>Use of this segment in free form may inhibit automatic processing of the general message. Coded reference to standard texts is an available functionality which enables automatic processing and reduces transmission overheads. Standard texts should be mutually defined among trading partners and can be used to cover legal or other requirements.</p>					
<p>Example: FTX+ADK+1++OUR STOREWIDE SPRING SALE WILL START NEXT WEEK:ALL ITEMS 10 TO 30 % OFF'</p>					

5. Segments Layout

Segment number: 12

SG5	- C	100 - FTX-SG6			
SG6	- C	100 - NAD-SG7-SG8			
NAD	- M	1 - Name and address			
Function:					
To specify the name/address and their related function, either by C082 only and/or unstructured by C058 or structured by C080 thru 3207.					
	EDIFACT	GS1	*	Description	
3035	Party function code qualifier	M an..3	M	*	NI = Notify party
C082	PARTY IDENTIFICATION DETAILS	C	A		
3039	Party identifier	Man..35	M		For identification of parties it is recommended to use GLN - Format n13.
1131	Code list identification code	C an..17	N		
3055	Code list responsible agency code	C an..3	R	*	9 = GS1
C058	NAME AND ADDRESS	C	O		This composite may only be used to fulfill the requirements of directive 2003/58/EC, article 4.
3124	Name and address description	Man..35	M		
3124	Name and address description	C an..35	O		
3124	Name and address description	C an..35	O		
3124	Name and address description	C an..35	O		
3124	Name and address description	C an..35	O		
C080	PARTY NAME	C	D		
3036	Party name	Man..35	M		Party Name in clear text.
3036	Party name	C an..35	O		
3036	Party name	C an..35	O		
3036	Party name	C an..35	O		
3036	Party name	C an..35	O		
3045	Party name format code	C an..3	O		
C059	STREET	C	D		
3042	Street and number or post office box identifier	Man..35	M		Building Name/Number and Street
3042	Street and number or post office box identifier	C an..35	O		Name and/or P.O. Box.
3042	Street and number or post office box identifier	C an..35	O		
3042	Street and number or post office box identifier	C an..35	O		
3164	City name	C an..35	D		City/Town name, clear text.
C819	COUNTRY SUB-ENTITY DETAILS	C	D		
3229	Country sub-entity name code	C an..9	O		
1131	Code list identification code	C an..17	O		
3055	Code list responsible agency	C an..3	O		

5. Segments Layout

Segment number: 12

	EDIFACT	GS1	*	Description
code				
3228 Country sub-entity name	C an..70	O		County/State, clear text.
3251 Postal identification code	C an..17	D		Postal Code
3207 Country name code	C an..3	D		ISO 2 Alpha Code.

Segment Notes:

This segment is used to identify any parties who must be notified on the content of the message contained in the previous FTX segment.

Example:

NAD+NI+3323456001238::9'

Dependency Notes:

The following composites and data elements are only used when a coded name and address can not be used.

The affected composites and data elements are as follows:

C080 - C059 - 3164 - C819 - 3251 - 3207

5. Segments Layout

Segment number: 13

SG5	- C	100 - FTX-SG6
SG6	- C	100 - NAD-SG7-SG8
SG7	- C	10 - RFF-DTM
RFF	- M	1 - Reference

Function:
 To specify a reference.

	EDIFACT	GS1	*	Description
C506 REFERENCE	M	M		
1153 Reference code qualifier	Man..3	M		PD = Promotion deal number
1154 Reference identifier	C an..70	R		
1156 Document line identifier	C an..6	N		
4000 Reference version identifier	C an..35	N		
1060 Revision identifier	C an..6	N		

Segment Notes:
 This segment is used to specify any references relevant to the party identified in the previous NAD segment.

Example:
 RFF+PD:324FEB97'

5. Segments Layout

Segment number: 14

SG5	- C	100 - FTX-SG6			
SG6	- C	100 - NAD-SG7-SG8			
SG7	- C	10 - RFF-DTM			
DTM	- C	10 - Date/time/period			
Function:					
To specify date, and/or time, or period.					
	EDIFACT	GS1	*	Description	
C507	DATE/TIME/PERIOD	M	M		
2005	Date or time or period function code qualifier	Man..3	M	*	171 = Reference date/time
2380	Date or time or period value	C an..35	R		
2379	Date or time or period format code	C an..3	R		102 = CCYYMMDD 718 = CCYYMMDD-CCYYMMDD
Segment Notes:					
This segment is used to specify any dates related to the references provided in the previous RFF segment.					
Example:					
DTM+171:20020101:102'					

5. Segments Layout

Segment number: 15

SG5	- C	100 - FTX-SG6			
SG6	- C	100 - NAD-SG7-SG8			
SG8	- C	5 - CTA-COM			
CTA	- M	1 - Contact information			
Function:					
To identify a person or a department to whom communication should be directed.					
		EDIFACT	GS1	*	Description
3139	Contact function code	C an..3	R		PM = Product management contact SA = Sales administration SR = Sales representative or department
C056	DEPARTMENT OR EMPLOYEE DETAILS	C	O		
3413	Department or employee name code	C an..17	O		
3412	Department or employee name	C an..35	O		
Segment Notes:					
This segment is used to identify the department and/or person within the party specified in the NAD. The Global Location Number GLN is particularly suitable for this purpose.					
Example: CTA+PM+:MARY DECKER'					

5. Segments Layout

Segment number: 16

SG5	- C	100 - FTX-SG6			
SG6	- C	100 - NAD-SG7-SG8			
SG8	- C	5 - CTA-COM			
COM	- C	5 - Communication contact			
Function:					
To identify a communication number of a department or a person to whom communication should be directed.					
		EDIFACT	GS1	*	Description
C076	COMMUNICATION CONTACT	M	M		
3148	Communication address identifier	Man..512	M		
3155	Communication address code qualifier	Man..3	M		EM = Electronic mail TE = Telephone AO = Uniform Resource Location (URL)
Segment Notes:					
This segment is used to identify the communications number and the type of communications used for the person or department identified in the CTA segment.					
Example:					
COM+00447188433211:FX'					

5. Segments Layout

Segment number: 17

UNT - M 1 - Message trailer					
Function: To end and check the completeness of a message.					
Notes: 1. 0062, the value shall be identical to the value in 0062 in the corresponding UNH segment.					
		EDIFACT	GS1	*	Description
0074	Number of segments in a message	M n..10	M		The total number of segments in the message is specified here.
0062	Message reference number	M an..14	M		The message reference numbered detailed here should equal the one specified in the UNH segment.
Segment Notes: This segment is a mandatory UN/EDIFACT segment. It must always be the last segment in the message.					
Example: UNT+17+ME000001'					

EANCOM[®] 2002 S4 Part II The Messages

GENERAL

General purpose message

6. Examples

The following is an example of a basic General Message sent between two parties identified by the GLNs:

5412345000013 - Sender
3323456007896 - Receiver

The General Message GE282 is sent January 6th 2002.

The textual message is informing the relevant parties of a special promotional activity.

The receiver of the message should notify by fax the additional party identified by GLN:

3323456001238 - Notify party

General Message:

UNH+ME000001+GENERAL:D:01B:UN:EAN005'	Message header
BGM+14E::9+GE282+9'	General message number GE282
DTM+137:20020106:102'	Message date 6th of January 2002
NAD+FR+5412345000013::9'	Message from party identified by GLN 5412345000013
NAD+MR+3323456007896::9'	Message receiver party identified by GLN 3323456007896
FTX+ADK+1++OUR STOREWIDE SPRING SALE WILL START NEXT WEEK:ALL ITEMS 10 TO 30 % OFF'	Free text message
NAD+NI+3323456001238::9'	Message notify party identified by GLN 3323456001238
CTA+PM+:MARY DECKER'	Indication of the product management contact
COM+00447188433211:FX'	Fax number for notify party is 00447188433211
UNT+10+ME000001'	Total number of segments in the message equals 10

Note:

The EDI interchange will include the UNB..UNZ segments and, if applicable, the UNG..UNE segments. (See part 1 section 5.7).