

# **EANCOM<sup>®</sup> 2002 S4**

## **MSCONS**

### **Metered services consumption report message**

#### **Edition 2016**

|                                  |    |
|----------------------------------|----|
| 1. Introduction.....             | 2  |
| 2. Message Structure Chart ..... | 3  |
| 3. Branching Diagram.....        | 4  |
| 4. Segments Description .....    | 8  |
| 5. Segments Layout.....          | 11 |
| 6. Example(s) .....              | 52 |

## 1. Introduction

---

### Status

MESSAGE TYPE : MSCONS  
REFERENCE DIRECTORY : D.01B  
EANCOM® SUBSET VERSION : 004

### Definition

A Metered Services Consumption Report is a communication between trading parties, or their agents, providing consumption and where required associated technical information at a location(s) for a product(s) or service(s) where the supply is recorded using a meter(s).

### Principles

- At least one delivery party (premise) shall be identified per message.
- Each Metered Services Consumption Report will define the period of time for which the details contained are valid.
- A Metered Services Consumption Report may be used to provide consumption information which may directly relate to other business functions, e.g. invoicing or process control.
- A Metered Services Consumption Report may be sent by the buyer or the seller to the other party.
- Metered Services Consumption Reports will be provided for premises as defined by trading partners.
- Locations, products and/or services, and meters shall be identified where ever possible within the report using the EAN.UCC numbering system to facilitate automatic processing.
- The Metered Services Consumption Report may be transmitted at any time and may be related directly to either a delivery(ies) and/or an invoice. A Metered Services Consumption Report when used to support the financial information contained in an invoice may only relate to one invoice. A Metered Services Consumption Report when used to indicate consumption or qualitative information may relate to one or many delivery parties (premises).

## 2. Message Structure Chart

### Metered Services Consumption Report Heading Section

|     |   |   |    |                         |
|-----|---|---|----|-------------------------|
| UNH | 1 | M | 1  | - Message header        |
| BGM | 2 | M | 1  | - Beginning of message  |
| DTM | 3 | M | 9  | - Date/time/period      |
| SG1 |   | C | 9  | - RFF-DTM               |
| RFF | 4 | M | 1  | - Reference             |
| DTM | 5 | C | 9  | - Date/time/period      |
| SG2 |   | C | 99 | - NAD-SG3-SG4           |
| NAD | 6 | M | 1  | - Name and address      |
| SG3 |   | C | 9  | - RFF                   |
| RFF | 7 | M | 1  | - Reference             |
| SG4 |   | C | 9  | - CTA-COM               |
| CTA | 8 | M | 1  | - Contact information   |
| COM | 9 | C | 9  | - Communication contact |

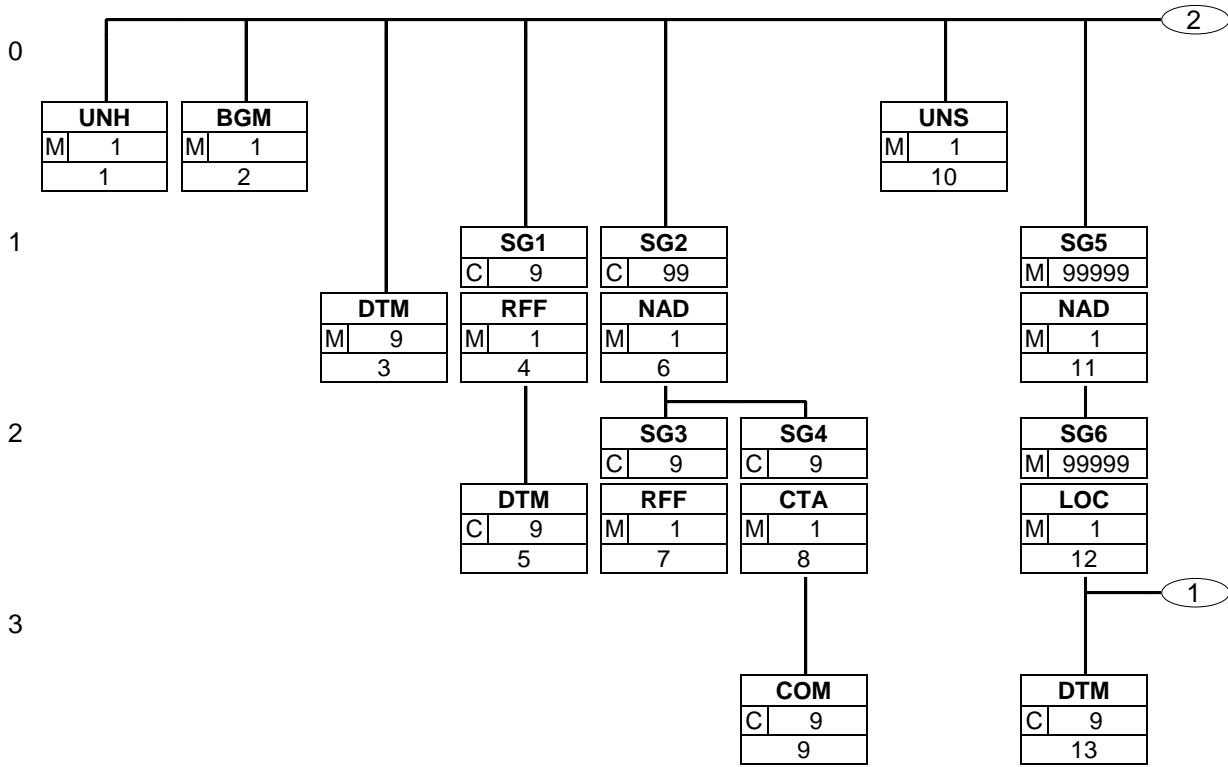
### Metered Services Consumption Report Detail Section

|      |    |   |       |                                     |
|------|----|---|-------|-------------------------------------|
| UNS  | 10 | M | 1     | - Section control                   |
| SG5  |    | M | 99999 | - NAD-SG6                           |
| NAD  | 11 | M | 1     | - Name and address                  |
| SG6  |    | M | 99999 | - LOC-DTM-SG7-SG8-SG9               |
| LOC  | 12 | M | 1     | - Place/location identification     |
| DTM  | 13 | C | 9     | - Date/time/period                  |
| SG7  |    | C | 99    | - RFF-DTM                           |
| RFF  | 14 | M | 1     | - Reference                         |
| DTM  | 15 | C | 9     | - Date/time/period                  |
| SG8  |    | C | 99    | - CCI-DTM                           |
| CCI  | 16 | M | 1     | - Characteristic/class id           |
| DTM  | 17 | C | 99    | - Date/time/period                  |
| SG9  |    | C | 99999 | - LIN-PIA-IMD-PRI-NAD-MOA-SG10-SG11 |
| LIN  | 18 | M | 1     | - Line item                         |
| PIA  | 19 | C | 9     | - Additional product id             |
| IMD  | 20 | C | 9     | - Item description                  |
| PRI  | 21 | C | 9     | - Price details                     |
| NAD  | 22 | C | 9     | - Name and address                  |
| MOA  | 23 | C | 9     | - Monetary amount                   |
| SG10 |    | M | 9999  | - QTY-DTM                           |
| QTY  | 24 | M | 1     | - Quantity                          |
| DTM  | 25 | C | 9     | - Date/time/period                  |
| SG11 |    | C | 99    | - CCI-MEA-DTM                       |
| CCI  | 26 | M | 1     | - Characteristic/class id           |
| MEA  | 27 | C | 99    | - Measurements                      |
| DTM  | 28 | C | 9     | - Date/time/period                  |

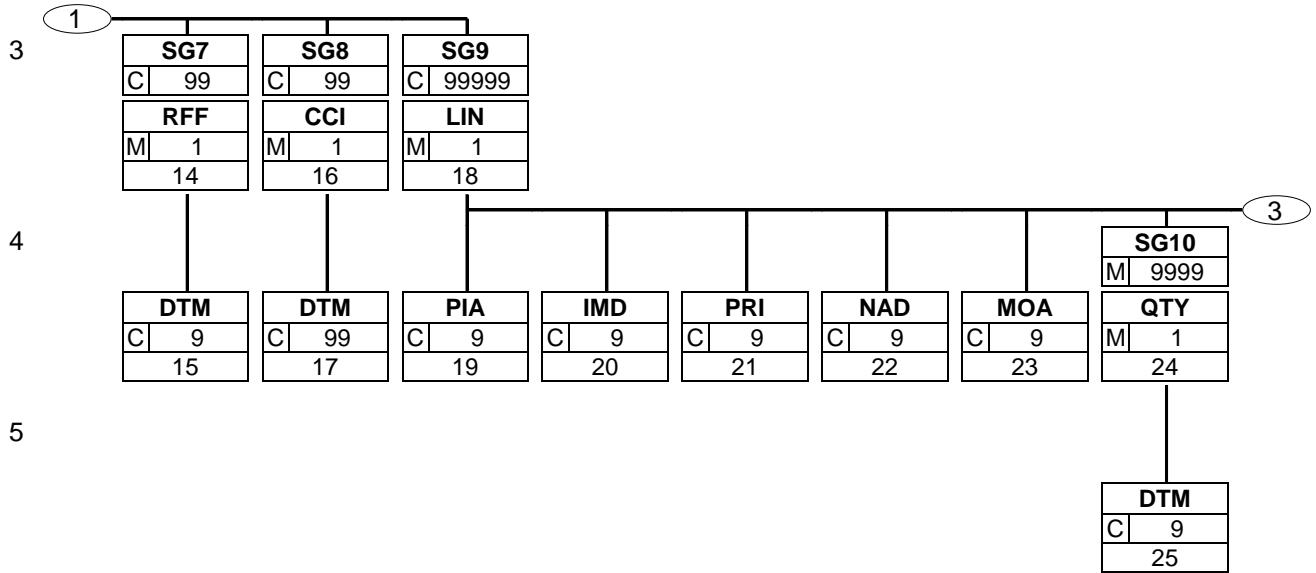
### Metered Services Consumption Report Summary Section

|     |    |   |    |                   |
|-----|----|---|----|-------------------|
| CNT | 29 | C | 99 | - Control total   |
| UNT | 30 | M | 1  | - Message trailer |

### 3. Branching Diagram

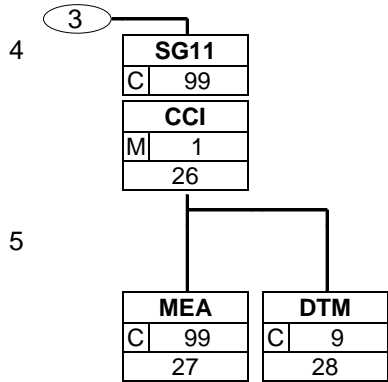


### 3. Branching Diagram



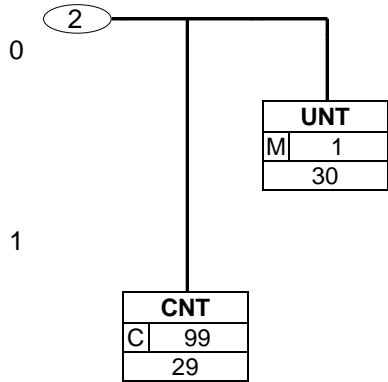
### 3. Branching Diagram

---



### 3. Branching Diagram

---



## 4. Segments Description

---

### Metered Services Consumption Report Heading Section

- UNH - M 1 - Message header  
This segment is used to head, identify and specify a message.
- BGM - M 1 - Beginning of message  
This segment is used to indicate the type and function of a message and to transmit the identifying number.
- DTM - M 9 - Date/time/period  
This segment is used to specify the date of the metered services consumption report message.
- SG1** - C 9 - **RFF-DTM**  
A group of segments providing references and any applicable dates related to the whole message. These references may be overridden at detail level in segment group 7 when the same qualifiers are used.
- RFF - M 1 - Reference  
This segment is used to identify references which are valid for the complete metered services consumption report. References provided here may be overridden at detail level through the use of the RFF segment in group 7 when the same qualifiers are used.
- DTM - C 9 - Date/time/period  
This segment is used to specify dates relating to the references given in the previous RFF segment.
- SG2** - C 99 - **NAD-SG3-SG4**  
A group of segments identifying the parties involved in the transaction, reference numbers associated with the parties, and any contact points and numbers.
- NAD - M 1 - Name and address  
This segment is used to identify the parties involved in the metered services consumption report message. The identification of the buyer and supplier is mandatory in the metered services consumption report.
- SG3** - C 9 - **RFF**  
A segment group providing reference numbers related to the parties identified in the NAD segment.
- RFF - M 1 - Reference  
This segment is used to identify references related to the party detailed in the NAD segment.
- SG4** - C 9 - **CTA-COM**  
A group of segments giving contact details of the specific person or department within the party identified in the NAD segment.
- CTA - M 1 - Contact information  
This segment is used to identify departments and/or persons within the party specified in the NAD.
- COM - C 9 - Communication contact  
This segment is used to identify the communications number and the type of communications used for the contact identified in the CTA segment.

### Metered Services Consumption Report Detail Section

- UNS - M 1 - Section control  
This segment is used to identify the break between the message header and message detail sections.



#### 4. Segments Description

---

- SG5** - M 99999 - **NAD-SG6**  
 A group of segments identifying the delivery party (premise) and the meter for which consumption is being reported. This segment group is the trigger segment group to the detail section of the message and must be included at least once.
- NAD - M 1 - Name and address  
 This segment is used to identify the delivery party (premise) for which consumption information is being provided. For the purpose of this message a premise may be either a physical location where meters are found or an entity within an organisation (e.g. sales department) which issues credit or charge cards to their representatives for the procurement of metered products, i.e. telephone calls, gasoline products, etc.
- SG6** - M 99999 - **LOC-DTM-SG7-SG8-SG9**  
 A group of segments identifying the meter being reported, the date of the meter read, associated references, the physical characteristics of the meter, and the product or service for which consumption information is being reported.
- LOC - M 1 - Place/location identification  
 This segment is used to identify the location of a meter within the premise identified in the previous NAD segment. The location of a meter may be a fixed location identified by a Global Location Number GLN or an identity number assigned to a 'moving' meter, e.g. credit card number.
- DTM - C 9 - Date/time/period  
 This segment is used to specify any dates associated with the meter identified in the LOC segment.
- SG7** - C 99 - **RFF-DTM**  
 A group of segments for specifying any references and associated dates valid for the meter identified in the LOC segment.
- RFF - M 1 - Reference  
 This segment is used to identify any references associated with the currently identified meter. References provided here which use the same qualifier as that used in the RFF segment in the heading section will override the reference provided in the heading section for this meter only.
- DTM - C 9 - Date/time/period  
 This segment is used to specify dates relating to the references given in the previous RFF segment.
- SG8** - C 99 - **CCI-DTM**  
 A group of segments used to provide characteristic information and associated dates for the current meter.
- CCI - M 1 - Characteristic/class id  
 This segment is used to specify the characteristics of the currently identified meter or product supplied on the meter.
- DTM - C 99 - Date/time/period  
 This segment is used to specify dates relating to the characteristics of the meter specified in the previous CCI segment.
- SG9** - C 99999 - **LIN-PIA-IMD-PRI-NAD-MOA-SG10-SG11**  
 A group of segments providing details of the metered products or services, quantities, characteristics, and any associated dates.
- LIN - M 1 - Line item  
 This segment is used to identify a product for which consumption or qualitative information is being provided.

## 4. Segments Description

---

|                      |  |
|----------------------|--|
| PIA - C 9            | - Additional product id<br>This segment is used to specify additional or substitutional item identification codes such as a buyer's or supplier's item number.   |
| IMD - C 9            | - Item description<br>This segment is used to describe the current line item.  |
| PRI - C 9            | - Price details<br>This segment specifies pricing information relevant to the current line item.   |
| NAD - C 9            | - Name and address<br>This segment is used to identify parties related to the current product or service, e.g. the seller (service station) of gasoline products, the party which accepts or receives a telephone call.  |
| MOA - C 9            | - Monetary amount<br>This segment is used to specify the monetary value of the current product or service, e.g. the total cost of long distance telephone calls.   |
| <b>SG10 - M 9999</b> | - <b>QTY-DTM</b><br>A group of segments providing details of the meter read, consumption, correction quantities, and any associated dates.   |
| QTY - M 1            | - Quantity<br>This segment is used to specify quantities related to the current line item.   |
| DTM - C 9            | - Date/time/period<br>This segment is used to specify any dates and or times related to the quantity specified in the previous QTY segment.  |
| <b>SG11 - C 99</b>   | - <b>CCI-MEA-DTM</b><br>A group of segments providing characteristic details, measurements, and dates related to the details for the currently identified line item.   |
| CCI - M 1            | - Characteristic/class id<br>This segment is used to specify the characteristics of the current line item, the currently identified meter or product supplied on the meter.  |
| MEA - C 99           | - Measurements<br>This segment is used to specify any measurements related to the currently identified product characteristic class and to provide measurements relevant to the characteristics provided for all the reported services (products) in one location. |
| DTM - C 9            | - Date/time/period<br>This segment is used to specify any dates and or times related to the measurements or meter characteristics specified in the current line item characteristics.  |

### Metered Services Consumption Report Summary Section

|            |   |
|------------|---|
| CNT - C 99 | - Control total<br>This is used to provide message control information for checking on the message receivers in-house system. |
| UNT - M 1  | - Message trailer<br>This segment is a mandatory UN/EDIFACT segment. It must always be the last segment in the message.       |

## 5. Segments Layout

---

This section describes each segment used in the EANCOM® Metered services consumption report message. The original EDIFACT segment layout is listed. The appropriate comments relevant to the EANCOM® subset are indicated.

### Notes:

1. The segments are presented in the sequence in which they appear in the message. The segment or segment group tag is followed by the (M)andatory / (C)onditional indicator, the maximum number of occurrences and the segment description.
2. Reading from left to right, in column one, the data element tags and descriptions are shown, followed by in the second column the EDIFACT status (M or C), the field format, and the picture of the data elements. These first pieces of information constitute the original EDIFACT segment layout.

Following the EDIFACT information, EANCOM® specific information is provided in the third, fourth, and fifth columns. In the third column a status indicator for the use of (C)onditional EDIFACT data elements (see 2.1 through 2.3 below), in the fourth column the restricted indicator (see point 3 on the following page), and in the fifth column notes and code values used for specific data elements in the message.

- 2.1 (M)andatory data elements in EDIFACT segments retain their status in EANCOM®.
- 2.2 Additionally, there are five types of status for data elements with a (C)onditional EDIFACT status, whether for simple, component or composite data elements. These are listed below and can be identified when relevant by the following abbreviations:

|             |          |  |
|-------------|----------|--|
| - REQUIRED  | <b>R</b> | Indicates that the entity is required and must be sent.  |
| - ADVISED   | <b>A</b> | Indicates that the entity is advised or recommended.   |
| - DEPENDENT | <b>D</b> | Indicates that the entity must be sent in certain conditions, as defined by the relevant explanatory note. |
| - OPTIONAL  | <b>O</b> | Indicates that the entity is optional and may be sent at the discretion of the user.                       |
| - NOT USED  | <b>N</b> | Indicates that the entity is not used and should be omitted.   |

- 2.3 If a composite is flagged as **N, NOT USED**, all data elements within that composite will have blank status indicators assigned to them.
3. Status indicators detailed in the fourth column which directly relate to the code values detailed in the fifth **column** may have two values:

|              |   |   |
|--------------|---|---|
| - RESTRICTED | * | A data element marked with an asterisk (*) in the fourth column indicates that the listed codes in column five are the only codes available for use with this data element, in this segment, in this message.   |
| - OPEN       |   | All data elements where coded representation of data is possible and a restricted set of code values is not indicated are open (no asterisk in fourth column). The available codes are listed in the EANCOM® Data Elements and Code Sets Directory. Code values may be given as examples or there may be a note on the format or type of code to be used. |

4. Different colours are used for the code values in the segment details: restricted codes are in red and open codes in blue.

## 5. Segments Layout

Segment number: 1

| UNH - M 1 - Message header  |   |          |     |   |  |
|---|---|----------|-----|---|--|
| Function:<br>To head, identify and specify a message.   |   |          |     |   |  |
| Notes:<br>1. Data element S009/0057 is retained for upward compatibility. The use of S016 and/or S017 is encouraged in preference.<br>2. The combination of the values carried in data elements 0062 and S009 shall be used to identify uniquely the message within its group (if used) or if not used, within its interchange, for the purpose of acknowledgement. |   |          |     |   |  |
|   |   | EDIFACT  | GS1 | * | Description  |
| 0062  | Message reference number                        | M an..14 | M   |   | Senders unique message reference. Sequence number of messages in the interchange. DE 0062 in UNT will have the same value. Generated by the sender.                  |
| S009  | MESSAGE IDENTIFIER                              | M        | M   |   |  |
| 0065  | Message type                                    | M an..6  | M   | * | MSCONS = Metered services consumption report message   |
| 0052  | Message version number                          | M an..3  | M   | * | D = Draft version/UN/EDIFACT Directory   |
| 0054  | Message release number                          | M an..3  | M   | * | 01B = Release 2001 - B   |
| 0051  | Controlling agency, coded                       | M an..3  | M   | * | UN = UN/CEFACT   |
| 0057  | Association assigned code                       | C an..6  | R   | * | EAN004 = GS1 version control number (GS1 Permanent Code)<br>Indicates that the message is the EANCOM version 004 of the Metered Services Consumption Report message. |
| 0110  | Code list directory version number              | C an..6  | O   |   | This data element can be used to identify the codelist agreed by the interchange partners, e.g. EAN001 = EANCOM 2002 S4 codelist released on 01.12.2002 by GS1.      |
| 0113  | Message type sub-function identification        | C an..6  | N   |   |  |
| 0068  | Common access reference                         | C an..35 | N   |   |  |
| S010  | STATUS OF THE TRANSFER                          | C        | N   |   |  |
| 0070  | Sequence of transfers                           | M n..2   |     |   |  |
| 0073  | First and last transfer                         | C a1     |     |   |  |
| S016  | MESSAGE SUBSET IDENTIFICATION                   | C        | N   |   |  |
| 0115  | Message subset identification                   | M an..14 |     |   |  |
| 0116  | Message subset version number                   | C an..3  |     |   |  |
| 0118  | Message subset release number                   | C an..3  |     |   |  |
| 0051  | Controlling agency, coded                       | C an..3  |     |   |  |
| S017  | MESSAGE IMPLEMENTATION GUIDELINE IDENTIFICATION | C        | N   |   |  |
| 0121  | Message implementation guideline identification | M an..14 |     |   |  |

## 5. Segments Layout

---

|      |                        |         |  |  |  |
|------|------------------------|---------|--|--|--|
| 0122 | Message implementation | C an..3 |  |  |  |
|------|------------------------|---------|--|--|--|

## 5. Segments Layout

Segment number: 1

|  | EDIFACT | GS1 | * | Description |
|--|---------|-----|---|-------------|
| guideline version number                             |         |     |   |             |
| 0124 Message implementation guideline release number | C an..3 |     |   |             |
| 0051 Controlling agency, coded                       | C an..3 |     |   |             |
| S018 SCENARIO IDENTIFICATION                         | C       | N   |   |             |
| 0127 Scenario identification                         | Man..14 |     |   |             |
| 0128 Scenario version number                         | C an..3 |     |   |             |
| 0130 Scenario release number                         | C an..3 |     |   |             |
| 0051 Controlling agency, coded                       | C an..3 |     |   |             |

**Segment Notes:**

This segment is used to head, identify and specify a message.  
 DE's 0065, 0052, and 0054: Indicate that the message is a UNSM Metered Services Consumption Report based on the D.01B directory.

**Example:**

UNH+1+MSCONS:D:01B:UN:EAN004'

## 5. Segments Layout

Segment number: 2

| BGM - M 1 - Beginning of message  |                                   |          |     |   |  |
|---|-----------------------------------|----------|-----|---|--|
| Function:<br>To indicate the type and function of a message and to transmit the identifying number. |                                   |          |     |   |  |
|   |                                   | EDIFACT  | GS1 | * | Description  |
| C002  | DOCUMENT/MESSAGE NAME             | C        | R   |   |  |
| 1001  | Document name code                | C an..3  | R   | * | <p>94E = Metered services consumption report invoice support (GS1 Temporary Code)<br/>           99E = Metered services consumption report (GS1 Temporary Code)</p> <p>It is of critical importance to use the appropriate document name qualifier relevant to the message. Code values 94E and 99E for this DE are temporary. Appropriate EDIFACT code values will be requested by GS1. In data element 3055 the code value '9' identifying GS1 must be used to signify that the code value is an GS1 specific value.</p> <p>For application routing purposes users may decide which value to use in data element 1001. Code value 99E is used to provide metered services consumption and quality data for multiple premises in support of consumption related information. This consumption and quality information may be routed towards process control, energy management, or other technical systems. Code value 94E is used to provide metered services consumption data for a single premise and will be routed to financial systems.</p> |
| 1131  | Code list identification code     | C an..17 | N   |   |  |
| 3055  | Code list responsible agency code | C an..3  | R   | * | 9 = GS1  |
| 1000  | Document name                     | C an..35 | O   |   |  |
| C106  | DOCUMENT/MESSAGE IDENTIFICATION   | C        | R   |   |  |
| 1004  | Document identifier               | C an..35 | R   |   | <p>Metered services consumption report number assigned by document sender.</p> <p>For global unique identification of documents Global Document Type Identifier (GDTI) is available.</p>   |
| 1056  | Version identifier                | C an..9  | N   |   |  |
| 1060  | Revision identifier               | C an..6  | N   |   |  |

### 5. Segments Layout

|  |                       |         |          |   |   |
|--|-----------------------|---------|----------|---|---|
| 1225   | Message function code | C an..3 | <b>R</b> | * | 5 = <b>Replace</b><br>7 = <b>Duplicate</b><br>9 = <b>Original</b><br>31 = <b>Copy</b> |
| <p>The message function, coded is a critical data element in this segment. It applies to all data indicated in the message. The following definitions apply for the restricted codes:</p> <p>5 = Replace - Cancel the original metered services consumption report and replace with this report (original report reference is specified in RFF SG1).</p> <p>7 = Duplicate - Retransmission involving the same parties, on the specific request of the receiver.</p> <p>9 = Original - An original transmission of a metered services consumption report.</p> |                       |         |          |   |   |



## 5. Segments Layout

---

Segment number: 2

|  | EDIFACT | GS1 | * | Description   |
|--|---------|-----|---|---|
|  |         |     |   | 31 = Copy - Copy of the metered services consumption report for a third party for information purposes. |
| 4343 Response type code  | C an..3 | N   |   |   |
| <p>Segment Notes:</p> <p>This segment is used to indicate the type and function of a message and to transmit the identifying number.</p> <p>Example:<br/>           BGM+99E::9+AW5235+9'</p> |         |     |   |   |

## 5. Segments Layout

Segment number: 3

| DTM - M 9 - Date/time/period   |  | EDIFACT  | GS1 | * | Description   |
|--|--|----------|-----|---|---|
| Function:<br>To specify date, and/or time, or period.  |  |          |     |   |   |
| C507   | DATE/TIME/PERIOD                               | M        | M   |   |   |
| 2005   | Date or time or period function code qualifier | Man..3   | M   | * | 35 = Delivery date/time, actual<br>137 = Document/message date/time |
| 2380   | Date or time or period value                   | C an..35 | R   |   |   |
| 2379   | Date or time or period format code             | C an..3  | R   |   | 102 = CCYYMMDD<br>203 = CCYYMMDDHHMM<br>718 = CCYYMMDD-CCYYMMDD     |
| Segment Notes:<br>This segment is used to specify the date of the metered services consumption report message.<br>DE 2005: Identification of the 'Document/message date/time' (code value 137) is mandatory in an EANCOM message.<br><br>Example:<br>DTM+137:20020212:102'<br>DTM+35:2002021220020312:718'<br>This example relates to a service supplied during the period from the 12th February 2002 to the 12th March 2002. |  |          |     |   |   |

## 5. Segments Layout

Segment number: 4

| <b>SG1</b>   | - C                          | 9 - RFF-DTM   |     |   |  |
|--|------------------------------|---------------|-----|---|--|
| <b>RFF</b>   | - M                          | 1 - Reference |     |   |  |
| Function:<br>To specify a reference.   |                              |               |     |   |  |
|  |                              | EDIFACT       | GS1 | * | Description  |
| C506   | REFERENCE                    | M             | M   |   |  |
| 1153   | Reference code qualifier     | Man..3        | M   |   | CT = Contract number<br>DQ = Delivery note number<br>IV = Invoice number<br>MSC = Metered services consumption report<br>(GS1 Temporary Code)<br>ON = Order number (buyer) |
| 1154   | Reference identifier         | C an..70      | R   |   |  |
| 1156   | Document line identifier     | C an..6       | N   |   |  |
| 4000   | Reference version identifier | C an..35      | N   |   |  |
| 1060   | Revision identifier          | C an..6       | N   |   |  |
| <p>Segment Notes:</p> <p>This segment is used to identify references which are valid for the complete metered services consumption report. References provided here may be overridden at detail level through the use of the RFF segment in group 7 when the same qualifiers are used.</p> <p>Example:<br/>RFF+CT:1024511'</p> |                              |               |     |   |  |

## 5. Segments Layout

Segment number: 5

| <b>SG1</b>  | - C  | 9 - RFF-DTM          |   |             |                                      |
|---|--|----------------------|---|-------------|--------------------------------------|
| <b>DTM</b>  | - C  | 9 - Date/time/period |   |             |                                      |
| Function:   |  |                      |   |             |                                      |
| To specify date, and/or time, or period.  |  |                      |   |             |                                      |
|   | EDIFACT  | GS1                  | * | Description |                                      |
| C507  | DATE/TIME/PERIOD                               | M                    | M |             |                                      |
| 2005  | Date or time or period function code qualifier | Man..3               | M | *           | 171 = Reference date/time            |
| 2380  | Date or time or period value                   | C an..35             | R |             |                                      |
| 2379  | Date or time or period format code             | C an..3              | R |             | 102 = CCYYMMDD<br>203 = CCYYMMDDHHMM |
| Segment Notes:  |  |                      |   |             |                                      |
| This segment is used to specify dates relating to the references given in the previous RFF segment. |  |                      |   |             |                                      |
| Example:  |  |                      |   |             |                                      |
| DTM+171:20020804:102'   |  |                      |   |             |                                      |

## 5. Segments Layout

Segment number: 6

| <b>SG2</b>   | - C   | 99 - NAD-SG3-SG4     |          |   |  |
|--|---|----------------------|----------|---|--|
| <b>NAD</b>   | - M   | 1 - Name and address |          |   |  |
| Function:  |   |                      |          |   |  |
| To specify the name/address and their related function, either by C082 only and/or unstructured by C058 or structured by C080 thru 3207. |   |                      |          |   |  |
|  |   | EDIFACT              | GS1      | * | Description  |
| 3035   | Party function code qualifier                   | M an..3              | <b>M</b> |   | BY = Buyer<br>II = Issuer of invoice<br>IV = Invoicee<br>SR = Supplier's agent/representative<br>SU = Supplier |
| C082   | PARTY IDENTIFICATION DETAILS                    | C                    | <b>A</b> |   |  |
| 3039   | Party identifier                                | M an..35             | <b>M</b> |   | For identification of parties it is recommended to use GLN - Format n13.                                       |
| 1131   | Code list identification code                   | C an..17             | <b>N</b> |   |  |
| 3055   | Code list responsible agency code               | C an..3              | <b>R</b> | * | 9 = <b>GS1</b>   |
| C058   | NAME AND ADDRESS                                | C                    | <b>O</b> |   | This composite may only be used to fulfill the requirements of directive 2003/58/EC, article 4.                |
| 3124   | Name and address description                    | M an..35             | <b>M</b> |   |  |
| 3124   | Name and address description                    | C an..35             | <b>N</b> |   |  |
| 3124   | Name and address description                    | C an..35             | <b>N</b> |   |  |
| 3124   | Name and address description                    | C an..35             | <b>N</b> |   |  |
| 3124   | Name and address description                    | C an..35             | <b>C</b> |   |  |
| C080   | PARTY NAME                                      | C                    | <b>D</b> |   |  |
| 3036   | Party name                                      | M an..35             | <b>M</b> |   | Party Name in clear text.  |
| 3036   | Party name                                      | C an..35             | <b>O</b> |   |  |
| 3036   | Party name                                      | C an..35             | <b>O</b> |   |  |
| 3036   | Party name                                      | C an..35             | <b>O</b> |   |  |
| 3036   | Party name                                      | C an..35             | <b>O</b> |   |  |
| 3045   | Party name format code                          | C an..3              | <b>O</b> |   |  |
| C059   | STREET  | C                    | <b>D</b> |   |  |
| 3042   | Street and number or post office box identifier | M an..35             | <b>M</b> |   | Building Name/Number and Street Name   |
| 3042   | Street and number or post office box identifier | C an..35             | <b>O</b> |   |  |
| 3042   | Street and number or post office box identifier | C an..35             | <b>O</b> |   |  |
| 3042   | Street and number or post office box identifier | C an..35             | <b>O</b> |   |  |
| 3164   | City name                                       | C an..35             | <b>D</b> |   | City/Town name, clear text   |
| C819   | COUNTRY SUB-ENTITY DETAILS                      | C                    | <b>D</b> |   |  |
| 3229   | Country sub-entity name code                    | C an..9              | <b>O</b> |   |  |

## 5. Segments Layout

Segment number: 6

|  | EDIFACT  | GS1 | * | Description               |
|--|----------|-----|---|---------------------------|
| 1131 Code list identification code     | C an..17 | O   |   |                           |
| 3055 Code list responsible agency code | C an..3  | O   |   |                           |
| 3228 Country sub-entity name           | C an..70 | O   |   | County/State, clear text. |
| 3251 Postal identification code        | C an..17 | D   |   | Postal Code               |
| 3207 Country name code                 | C an..3  | D   |   | ISO 3166 two alpha code   |

**Segment Notes:**

This segment is used to identify the parties involved in the metered services consumption report message. The identification of the buyer and supplier is mandatory in the metered services consumption report.

**Example:**

NAD+BY+5071615111110::9'

NAD+SU+5098765111111::9'

**Dependency Notes:**

The following composites and data elements are only used when a coded name and address can not be used.

The affected composites and data elements are as follows:

C080 - C059 - 3164 - C819 - 3251 - 3207

## 5. Segments Layout

Segment number: 7

| <b>SG2</b>  | - C                          | 99 - NAD-SG3-SG4 |     |   |  |
|---|------------------------------|------------------|-----|---|--|
| <b>SG3</b>  | - C                          | 9 - RFF          |     |   |  |
| <b>RFF</b>  | - M                          | 1 - Reference    |     |   |  |
| Function:   |                              |                  |     |   |  |
| To specify a reference.   |                              |                  |     |   |  |
|   |                              | EDIFACT          | GS1 | * | Description  |
| C506  | REFERENCE                    | M                | M   |   |  |
| 1153  | Reference code qualifier     | Man..3           | M   | * | YC1 = Additional party identification (GS1 Temporary Code)<br>GN = Government reference number<br>VA = VAT registration number<br>XA = Company/place registration number |
| 1154  | Reference identifier         | C an..70         | R   |   |  |
| 1156  | Document line identifier     | C an..6          | N   |   |  |
| 4000  | Reference version identifier | C an..35         | N   |   |  |
| 1060  | Revision identifier          | C an..6          | N   |   |  |
| Segment Notes:  |                              |                  |     |   |  |
| This segment is used to identify references related to the party detailed in the NAD segment. |                              |                  |     |   |  |
| Example:  |                              |                  |     |   |  |
| RFF+YC1:125'  |                              |                  |     |   |  |

## 5. Segments Layout

Segment number: 8

| <b>SG2</b>  | - C                              | 99 - NAD-SG3-SG4        |          |  |
|---|----------------------------------|-------------------------|----------|--|
| <b>SG4</b>  | - C                              | 9 - CTA-COM             |          |  |
| <b>CTA</b>  | - M                              | 1 - Contact information |          |  |
| Function:   |                                  |                         |          |  |
| To identify a person or a department to whom communication should be directed.  |                                  |                         |          |  |
|   | EDIFACT                          | GS1                     | *        | Description                              |
| 3139  | Contact function code            | C an..3                 | <b>R</b> | IC = <a href="#">Information contact</a> |
| C056  | DEPARTMENT OR EMPLOYEE DETAILS   | C                       | <b>O</b> |  |
| 3413  | Department or employee name code | C an..17                | <b>O</b> |  |
| 3412  | Department or employee name      | C an..35                | <b>O</b> |  |
| Segment Notes:  |                                  |                         |          |  |
| This segment is used to identify departments and/or persons within the party specified in the NAD. The Global Location Number GLN - Format n13 - is particularly suitable for this purpose. |                                  |                         |          |  |
| Example:  |                                  |                         |          |  |
| CTA+IC+:MARK CARTER'  |                                  |                         |          |  |



## 5. Segments Layout

Segment number: 9

| <b>SG2</b>  | - C                                  | 99 - NAD-SG3-SG4          |     |   |  |
|---|--------------------------------------|---------------------------|-----|---|--|
| <b>SG4</b>  | - C                                  | 9 - CTA-COM               |     |   |  |
| <b>COM</b>  | - C                                  | 9 - Communication contact |     |   |  |
| Function:   |                                      |                           |     |   |  |
| To identify a communication number of a department or a person to whom communication should be directed.                                      |                                      |                           |     |   |  |
|   |                                      | EDIFACT                   | GS1 | * | Description  |
| C076  | COMMUNICATION CONTACT                | M                         | M   |   |  |
| 3148  | Communication address identifier     | Man..512                  | M   |   |  |
| 3155  | Communication address code qualifier | Man..3                    | M   |   | EI = EDI<br>EM = Electronic mail<br>TE = Telephone<br>AO = Uniform Resource Location (URL) |
| Segment Notes:  |                                      |                           |     |   |  |
| This segment is used to identify the communications number and the type of communications used for the contact identified in the CTA segment. |                                      |                           |     |   |  |
| Example:  |                                      |                           |     |   |  |
| COM+003222271020:TE'  |                                      |                           |     |   |  |

## 5. Segments Layout

Segment number: 10

|  |                        |       |   |             |   |
|--|------------------------|-------|---|-------------|---|
| <b>UNS</b> - M 1 - Section control   |                        |       |   |             |   |
| Function:<br>To separate header, detail and summary sections of a message.   |                        |       |   |             |   |
| Notes:<br>To be used by message designers only when required to avoid ambiguities.                                   |                        |       |   |             |   |
|  | EDIFACT                | GS1   | * | Description |   |
| 0081   | Section identification | M a l | M | *           | D = <b>Header/detail section separation</b> |
| Segment Notes:<br>This segment is used to identify the break between the message header and message detail sections. |                        |       |   |             |   |
| Example:<br>UNS+D'   |                        |       |   |             |   |

## 5. Segments Layout

Segment number: 11

| <b>SG5</b>   | - M   | 99999 - NAD-SG6      |     |   |   |
|--|---|----------------------|-----|---|---|
| <b>NAD</b>   | - M   | 1 - Name and address |     |   |   |
| Function:  |   |                      |     |   |   |
| To specify the name/address and their related function, either by C082 only and/or unstructured by C058 or structured by C080 thru 3207. |   |                      |     |   |   |
|  |   | EDIFACT              | GS1 | * | Description   |
| 3035   | Party function code qualifier                   | M an..3              | M   | * | DP = <b>Delivery party</b>  |
| C082   | PARTY IDENTIFICATION DETAILS                    | C                    | A   |   |   |
| 3039   | Party identifier                                | M an..35             | M   |   | For identification of parties it is recommended to use GLN - Format n13.                        |
| 1131   | Code list identification code                   | C an..17             | N   |   |   |
| 3055   | Code list responsible agency code               | C an..3              | R   | * | 9 = <b>GS1</b>  |
| C058   | NAME AND ADDRESS                                | C                    | O   |   | This composite may only be used to fulfill the requirements of directive 2003/58/EC, article 4. |
| 3124   | Name and address description                    | M an..35             | M   |   |   |
| 3124   | Name and address description                    | C an..35             | O   |   |   |
| 3124   | Name and address description                    | C an..35             | O   |   |   |
| 3124   | Name and address description                    | C an..35             | O   |   |   |
| 3124   | Name and address description                    | C an..35             | O   |   |   |
| C080   | PARTY NAME                                      | C                    | D   |   |   |
| 3036   | Party name                                      | M an..35             | M   |   | Party Name in clear text.   |
| 3036   | Party name                                      | C an..35             | O   |   |   |
| 3036   | Party name                                      | C an..35             | O   |   |   |
| 3036   | Party name                                      | C an..35             | O   |   |   |
| 3036   | Party name                                      | C an..35             | O   |   |   |
| 3045   | Party name format code                          | C an..3              | O   |   |   |
| C059   | STREET  | C                    | D   |   |   |
| 3042   | Street and number or post office box identifier | M an..35             | M   |   | Building Name/Number and Street Name  |
| 3042   | Street and number or post office box identifier | C an..35             | O   |   |   |
| 3042   | Street and number or post office box identifier | C an..35             | O   |   |   |
| 3042   | Street and number or post office box identifier | C an..35             | O   |   |   |
| 3164   | City name                                       | C an..35             | D   |   | City/Town name, clear text  |
| C819   | COUNTRY SUB-ENTITY DETAILS                      | C                    | D   |   |   |
| 3229   | Country sub-entity name code                    | C an..9              | O   |   |   |
| 1131   | Code list identification code                   | C an..17             | O   |   |   |
| 3055   | Code list responsible agency code               | C an..3              | O   |   |   |

## 5. Segments Layout

Segment number: 11

|                                 | EDIFACT  | GS1 | * | Description               |
|---------------------------------|----------|-----|---|---------------------------|
| 3228 Country sub-entity name    | C an..70 | O   |   | County/State, clear text. |
| 3251 Postal identification code | C an..17 | D   |   | Postal Code               |
| 3207 Country name code          | C an..3  | D   |   | ISO 3166 two alpha code   |

### Segment Notes:

This segment is used to identify the delivery party (premise) for which consumption information is being provided. For the purpose of this message a premise may be either a physical location where meters are found or an entity within an organisation (e.g. sales department) which issues credit or charge cards to their representatives for the procurement of metered products, i.e. telephone calls, gasoline products, etc.

This segment is the trigger segment to the detail section of the message and must therefore be included at least once in each message.

When the message is used to provide consumption information related to an invoice (using code 94E in the BGM segment) this segment group should only be repeated once. When the message is used to indicate consumption or qualitative information (using the code 99E in the BGM segment) this segment may be repeated to identify each premise for which information is being provided.

### Example:

NAD+DP+5071615222229::9'

### Dependency Notes:

The following composites and data elements are only used when a coded name and address can not be used.

The affected composites and data elements are as follows:

C080 - C059 - 3164 - C819 - 3251 - 3207

## 5. Segments Layout

Segment number: 12

| <b>SG5</b>  | - M                                 | 99999 - NAD-SG6                   |          |             |   |
|---|-------------------------------------|-----------------------------------|----------|-------------|---|
| <b>SG6</b>  | - M                                 | 99999 - LOC-DTM-SG7-SG8-SG9       |          |             |   |
| <b>LOC</b>  | - M                                 | 1 - Place/location identification |          |             |   |
| Function:   |                                     |                                   |          |             |   |
| To identify a place or a location and/or related locations.   |                                     |                                   |          |             |   |
|   | EDIFACT                             | GS1                               | *        | Description |   |
| 3227  | Location function code qualifier    | M an..3                           | <b>M</b> | *           | 17E = Location of meter (GS1 Temporary Code)  |
| C517  | LOCATION IDENTIFICATION             | C                                 | <b>A</b> |             |   |
| 3225  | Location name code                  | C an..25                          | <b>A</b> |             | GLN - Format n13  |
| 1131  | Code list identification code       | C an..17                          | <b>N</b> |             |   |
| 3055  | Code list responsible agency code   | C an..3                           | <b>D</b> |             | 9 = GS1<br>91 = Assigned by supplier or supplier's agent<br>92 = Assigned by buyer or buyer's agent |
| 3224  | Location name                       | C an..256                         | <b>O</b> |             |   |
| C519  | RELATED LOCATION ONE IDENTIFICATION | C                                 | <b>O</b> |             |   |
| 3223  | First related location name code    | C an..25                          | <b>O</b> |             | Global Location Number GLN - Format n13   |
| 1131  | Code list identification code       | C an..17                          | <b>O</b> |             |   |
| 3055  | Code list responsible agency code   | C an..3                           | <b>D</b> |             | 9 = GS1   |
| 3222  | First related location name         | C an..70                          | <b>O</b> |             |   |
| C553  | RELATED LOCATION TWO IDENTIFICATION | C                                 | <b>O</b> |             |   |
| 3233  | Second related location name code   | C an..25                          | <b>O</b> |             | Global Location Number GLN - Format n13   |
| 1131  | Code list identification code       | C an..17                          | <b>O</b> |             |   |
| 3055  | Code list responsible agency code   | C an..3                           | <b>D</b> |             | 9 = GS1   |
| 3232  | Second related location name        | C an..70                          | <b>O</b> |             |   |
| 5479  | Relation code                       | C an..3                           | <b>N</b> |             |   |
| Segment Notes:  |                                     |                                   |          |             |   |
| This segment is used to identify the location of a meter within the premise identified in the previous NAD segment. The location of a meter may be a fixed location identified by a Global Location Number GLN or an identity number assigned to a 'moving' meter, e.g. credit card number. |                                     |                                   |          |             |   |
| Example:<br>LOC+17E+5071615333338::9'   |                                     |                                   |          |             |   |

## 5. Segments Layout

Segment number: 13

| <b>SG5</b>   | - M  | 99999 - NAD-SG6             |   |             |   |
|--|--|-----------------------------|---|-------------|---|
| <b>SG6</b>   | - M  | 99999 - LOC-DTM-SG7-SG8-SG9 |   |             |   |
| <b>DTM</b>   | - C  | 9 - Date/time/period        |   |             |   |
| Function:  |  |                             |   |             |   |
| To specify date, and/or time, or period.   |  |                             |   |             |   |
|  | EDIFACT  | GS1                         | * | Description |   |
| C507   | DATE/TIME/PERIOD                               | M                           | M |             |   |
| 2005   | Date or time or period function code qualifier | Man..3                      | M | *           | 263 = Invoicing period<br>273 = Validity period<br>367 = Previous meter reading date<br>368 = Latest meter reading date |
| 2380   | Date or time or period value                   | C an..35                    | R |             |   |
| 2379   | Date or time or period format code             | C an..3                     | R |             | 102 = CCYYMMDD<br>203 = CCYYMMDDHHMM<br>718 = CCYYMMDD-CCYYMMDD   |
| Segment Notes:   |  |                             |   |             |   |
| This segment is used to specify any dates associated with the meter identified in the LOC segment. |  |                             |   |             |   |
| Example:   |  |                             |   |             |   |
| DTM+367:20020104:102'  |  |                             |   |             |   |

## 5. Segments Layout

Segment number: 14

| <b>SG5</b>  | - M                          | 99999 - NAD-SG6             |     |   |  |
|---|------------------------------|-----------------------------|-----|---|--|
| <b>SG6</b>  | - M                          | 99999 - LOC-DTM-SG7-SG8-SG9 |     |   |  |
| <b>SG7</b>  | - C                          | 99 - RFF-DTM                |     |   |  |
| <b>RFF</b>  | - M                          | 1 - Reference               |     |   |  |
| Function:<br>To specify a reference.  |                              |                             |     |   |  |
|   |                              | EDIFACT                     | GS1 | * | Description  |
| C506  | REFERENCE                    | M                           | M   |   |  |
| 1153  | Reference code qualifier     | M an..3                     | M   |   | MSC = Metered services consumption report<br>(GS1 Temporary Code)<br>ON = Order number (buyer)<br>SE = Serial number |
| 1154  | Reference identifier         | C an..70                    | R   |   |  |
| 1156  | Document line identifier     | C an..6                     | O   |   |  |
| 4000  | Reference version identifier | C an..35                    | N   |   |  |
| 1060  | Revision identifier          | C an..6                     | N   |   |  |
| Segment Notes:  |                              |                             |     |   |  |
| This segment is used to identify any references associated with the currently identified meter. References provided here which use the same qualifier as that used in the RFF segment in the heading section will override the reference provided in the heading section for this meter only. |                              |                             |     |   |  |
| Example:<br>RFF+SE:2015ACX'<br>This reference identifies the serial number 2015ACX of the current meter.  |                              |                             |     |   |  |

## 5. Segments Layout

Segment number: 15

| <b>SG5</b>  | - M  | 99999 - NAD-SG6             |     |   |                                      |
|---|--|-----------------------------|-----|---|--------------------------------------|
| <b>SG6</b>  | - M  | 99999 - LOC-DTM-SG7-SG8-SG9 |     |   |                                      |
| <b>SG7</b>  | - C  | 99 - RFF-DTM                |     |   |                                      |
| <b>DTM</b>  | - C  | 9 - Date/time/period        |     |   |                                      |
| Function:   |  |                             |     |   |                                      |
| To specify date, and/or time, or period.  |  |                             |     |   |                                      |
|   |  | EDIFACT                     | GS1 | * | Description                          |
| C507  | DATE/TIME/PERIOD                               | M                           | M   |   |                                      |
| 2005  | Date or time or period function code qualifier | M an..3                     | M   | * | 171 = Reference date/time            |
| 2380  | Date or time or period value                   | C an..35                    | R   |   |                                      |
| 2379  | Date or time or period format code             | C an..3                     | R   |   | 102 = CCYYMMDD<br>203 = CCYYMMDDHHMM |
| Segment Notes:  |  |                             |     |   |                                      |
| This segment is used to specify dates relating to the references given in the previous RFF segment. |  |                             |     |   |                                      |
| Example:  |  |                             |     |   |                                      |
| DTM+171:20020804:102'   |  |                             |     |   |                                      |



## 5. Segments Layout

Segment number: 16

| <b>SG5</b>   | - M                                | 99999 - NAD-SG6             |          |   |   |
|--|------------------------------------|-----------------------------|----------|---|---|
| <b>SG6</b>   | - M                                | 99999 - LOC-DTM-SG7-SG8-SG9 |          |   |   |
| <b>SG8</b>   | - C                                | 99 - CCI-DTM                |          |   |   |
| <b>CCI</b>   | - M                                | 1 - Characteristic/class id |          |   |   |
| Function:  |                                    |                             |          |   |   |
| To identify and describe a specific characteristic and its relevance for subsequent business processes.  |                                    |                             |          |   |   |
|  |                                    | EDIFACT                     | GS1      | * | Description   |
| 7059   | Class type code                    | C an..3                     | <b>O</b> |   | 8 = <a href="#">Meter</a><br>11 = <a href="#">Product</a>   |
| C502   | MEASUREMENT DETAILS                | C                           | <b>N</b> |   |   |
| 6313   | Measured attribute code            | C an..3                     | <b>O</b> |   |   |
| 6321   | Measurement significance code      | C an..3                     |          |   |   |
| 6155   | Non-discrete measurement name code | C an..17                    |          |   |   |
| 6154   | Non-discrete measurement name      | C an..70                    |          |   |   |
| C240   | PRODUCT CHARACTERISTIC             | C                           | <b>O</b> |   |   |
| 7037   | Characteristic description code    | Man..17                     | <b>M</b> |   | This data element is used to identify the characteristics of the current meter in coded form. As no EDIFACT code list exists for this data element codes should be allocated depending on the requirements of the user. Should it not be possible to provide a user code in this data element and a free form characteristic description is used in data element 7036, then it is recommended that the code value 'ZZZ' be put in data element 7037 (which is mandatory). |
| 1131   | Code list identification code      | C an..17                    | <b>O</b> |   |   |
| 3055   | Code list responsible agency code  | C an..3                     | <b>D</b> |   | 60 = <a href="#">Assigned by national trade agency</a><br>91 = <a href="#">Assigned by supplier or supplier's agent</a><br>92 = <a href="#">Assigned by buyer or buyer's agent</a>  |
| 7036   | Characteristic description         | C an..35                    | <b>O</b> |   | This data element is used to provide free form text characteristics for use where no coded values exist in data element 7037.   |
| 7036   | Characteristic description         | C an..35                    | <b>O</b> |   |   |
| 4051   | Characteristic relevance code      | C an..3                     | <b>C</b> |   |   |
| Segment Notes:   |                                    |                             |          |   |   |
| This segment is used to specify the characteristics of the currently identified meter or product supplied on the meter.  |                                    |                             |          |   |   |
| Example:   |                                    |                             |          |   |   |
| CCI+8++ZZZ::91'  |                                    |                             |          |   |   |
| This example indicates for the gas industry that the product characteristic being identified for the product is calorific value through the use of the supplier code value 82. |                                    |                             |          |   |   |
| CCI+8++ZZZ::91:COIN METER TYPE X-14'   |                                    |                             |          |   |   |
| This example indicates the characteristic of the meter in free text form because no code value exists.   |                                    |                             |          |   |   |

## 5. Segments Layout

Segment number: 17

| <b>SG5</b>  | - M  | 99999 - NAD-SG6             |   |  |
|---|--|-----------------------------|---|--|
| <b>SG6</b>  | - M  | 99999 - LOC-DTM-SG7-SG8-SG9 |   |  |
| <b>SG8</b>  | - C  | 99 - CCI-DTM                |   |  |
| <b>DTM</b>  | - C  | 99 - Date/time/period       |   |  |
| Function:   |  |                             |   |  |
| To specify date, and/or time, or period.  |  |                             |   |  |
|   | EDIFACT  | GS1                         | * | Description  |
| C507  | DATE/TIME/PERIOD                               | M                           | M |  |
| 2005  | Date or time or period function code qualifier | M an..3                     | M | *  |
|   |  |                             |   | 7 = <b>Effective date/time</b><br>18 = <b>Installation date/time/period</b><br>94 = <b>Production/manufacture date</b> |
| 2380  | Date or time or period value                   | C an..35                    | R |  |
| 2379  | Date or time or period format code             | C an..3                     | R |  |
|   |  |                             |   | 102 = <b>CCYYMMDD</b><br>203 = <b>CCYYMMDDHHMM</b>   |
| Segment Notes:  |  |                             |   |  |
| This segment is used to specify dates relating to the characteristics of the meter specified in the previous CCI segment. |  |                             |   |  |
| Example:  |  |                             |   |  |
| DTM+18:19970115:102'  |  |                             |   |  |

### 5. Segments Layout

Segment number: 18

|            |     |   |
|------------|-----|---|
| <b>SG5</b> | - M | 99999 - NAD-SG6                           |
| <b>SG6</b> | - M | 99999 - LOC-DTM-SG7-SG8-SG9               |
| <b>SG9</b> | - C | 99999 - LIN-PIA-IMD-PRI-NAD-MOA-SG10-SG11 |
| <b>LIN</b> | - M | 1 - Line item                             |

Function:  
 To identify a line item and configuration.

|      | EDIFACT                                      | GS1      | * | Description  |
|------|--|----------|---|--|
| 1082 | Line item identifier                         | C an..6  | R | Application generated number of the item lines within the metered services consumption report message.   |
| 1229 | Action request/notification description code | C an..3  | N |  |
| C212 | ITEM NUMBER IDENTIFICATION                   | C        | D | This composite is only used for the identification of GS1 codes. If another coding structure is required, e. g., supplier codes, this composite will not be used and the code will be detailed in the PIA segment. |
| 7140 | Item identifier                              | C an..35 | R | GTIN - Format n13 - this is the number of the metered products or services.  |
| 7143 | Item type identification code                | C an..3  | R | * SRV = <b>GS1 Global Trade Item Number</b>  |
| 1131 | Code list identification code                | C an..17 | N |  |
| 3055 | Code list responsible agency code            | C an..3  | N |  |
| C829 | SUB-LINE INFORMATION                         | C        | D |  |
| 5495 | Sub-line indicator code                      | C an..3  | R | * 1 = <b>Sub-line information</b>  |
| 1082 | Line item identifier                         | C an..6  | R |  |
| 1222 | Configuration level number                   | C n..2   | N |  |
| 7083 | Configuration operation code                 | C an..3  | N |  |

Segment Notes:  
 This segment is used to identify a product for which consumption or qualitative information is being provided. If Global Trade Item Numbers are available it is mandatory to use GTIN within the LIN segment.

Example:  
 LIN+1++4000862141404:SRV'

Dependency Notes:  
 C829 is only used when sub-lines are required.  
 FOR A COMPLETE DESCRIPTION ON THE USAGE OF SUB-LINES PLEASE REFER TO PART I, SECTION 4.10.

### 5. Segments Layout

Segment number: 19

| <b>SG5</b>   | - M                                  | 99999 - NAD-SG6                           |     |   |   |
|--|--------------------------------------|---|-----|---|---|
| <b>SG6</b>   | - M                                  | 99999 - LOC-DTM-SG7-SG8-SG9               |     |   |   |
| <b>SG9</b>   | - C                                  | 99999 - LIN-PIA-IMD-PRI-NAD-MOA-SG10-SG11 |     |   |   |
| <b>PIA</b>   | - C                                  | 9 - Additional product id                 |     |   |   |
| Function:  |                                      |   |     |   |   |
| To specify additional or substitutional item identification codes. |                                      |   |     |   |   |
|  |                                      | EDIFACT                                   | GS1 | * | Description   |
| 4347   | Product identifier code<br>qualifier | M an..3                                   | M   | * | 1 = <b>Additional identification</b><br>5 = <b>Product identification</b><br>Product Id function coded has the following restricted coded functions:<br>1 - Additional Identification - To provide an additional identity for the product identified in the LIN segment. The additional identification can consist of :<br>A supplemental identification which provides more information complementary to the GTIN provided in the LIN segment, e.g. a batch number, promotional variant number, product group number, etc.<br>5 - Product Identification - To provide the primary product identification code when no GTIN has been provided in the LIN segment. |
| C212   | ITEM NUMBER IDENTIFICATION           | M   | M   |   |   |
| 7140   | Item identifier                      | C an..35                                  | R   |   |   |
| 7143   | Item type identification code        | C an..3                                   | R   |   | MF = <b>Manufacturer's (producer's) article number</b><br>SA = <b>Supplier's article number</b><br>SRV = <b>GS1 Global Trade Item Number</b>  |
| 1131   | Code list identification code        | C an..17                                  | O   |   |   |
| 3055   | Code list responsible agency code    | C an..3                                   | D   |   | 9 = <b>GS1</b>  |
| C212   | ITEM NUMBER IDENTIFICATION           | C   | O   |   |   |
| 7140   | Item identifier                      | C an..35                                  | R   |   |   |
| 7143   | Item type identification code        | C an..3                                   | R   |   |   |
| 1131   | Code list identification code        | C an..17                                  | O   |   |   |
| 3055   | Code list responsible agency code    | C an..3                                   | D   |   |   |
| C212   | ITEM NUMBER IDENTIFICATION           | C   | O   |   |   |
| 7140   | Item identifier                      | C an..35                                  | R   |   |   |
| 7143   | Item type identification code        | C an..3                                   | R   |   |   |
| 1131   | Code list identification code        | C an..17                                  | O   |   |   |
| 3055   | Code list responsible agency code    | C an..3                                   | D   |   |   |
| C212   | ITEM NUMBER IDENTIFICATION           | C   | O   |   |   |
| 7140   | Item identifier                      | C an..35                                  | R   |   |   |

## 5. Segments Layout

Segment number: 19

|  | EDIFACT  | GS1      | * | Description |
|--|----------|----------|---|-------------|
| 7143 Item type identification code     | C an..3  | <b>R</b> |   |             |
| 1131 Code list identification code     | C an..17 | <b>O</b> |   |             |
| 3055 Code list responsible agency code | C an..3  | <b>D</b> |   |             |
| C212 ITEM NUMBER IDENTIFICATION        | C        | <b>O</b> |   |             |
| 7140 Item identifier                   | C an..35 | <b>R</b> |   |             |
| 7143 Item type identification code     | C an..3  | <b>R</b> |   |             |
| 1131 Code list identification code     | C an..17 | <b>O</b> |   |             |
| 3055 Code list responsible agency code | C an..3  | <b>D</b> |   |             |

**Segment Notes:**

This segment is used to specify additional or substitutional item identification codes such as a buyer's or supplier's item number.

**Examples:**

PIA+1+ABC5343:MF'

In this example the PIA segment is used to provide an additional identification to the GTIN provided in the LIN segment. The GTIN 4000862141404 provided in the LIN segment refers to the manufacturers article number ABC5343.

PIA+5+2209953C001L:AC'

This example details the HIBC code 2209953C001L which is provided as the primary product code because no GTIN was provided in the LIN segment.

## 5. Segments Layout

Segment number: 20

|            |     |   |
|------------|-----|---|
| <b>SG5</b> | - M | 99999 - NAD-SG6                           |
| <b>SG6</b> | - M | 99999 - LOC-DTM-SG7-SG8-SG9               |
| <b>SG9</b> | - C | 99999 - LIN-PIA-IMD-PRI-NAD-MOA-SG10-SG11 |
| <b>IMD</b> | - C | 9 - Item description                      |

Function:  
To describe an item in either an industry or free format.

|      | EDIFACT                           | GS1       | *   | Description  |
|------|-----------------------------------|-----------|-----|--|
| 7077 | Description format code           | C an..3   | O   | C = Code (from industry code list)<br>F = Free-form<br>S = Structured (from industry code list)<br>B = Code and text |
| C272 | ITEM CHARACTERISTIC               | C         | O   |  |
| 7081 | Item characteristic code          | C an..3   | R   |  |
| 1131 | Code list identification code     | C an..17  | O   |  |
| 3055 | Code list responsible agency code | C an..3   | D * | 9 = <b>GS1</b><br>Must be used if DE7081 contains an GS1 code.   |
| C273 | ITEM DESCRIPTION                  | C         | A   |  |
| 7009 | Item description code             | C an..17  | O   | CU = Consumer unit (GS1 Permanent Code)<br>TU = Traded unit (GS1 Permanent Code)                                     |
| 1131 | Code list identification code     | C an..17  | O   |  |
| 3055 | Code list responsible agency code | C an..3   | D   | 9 = <b>GS1</b><br>91 = Assigned by supplier or supplier's agent<br>92 = Assigned by buyer or buyer's agent           |
| 7008 | Item description                  | C an..256 | O   |  |
| 7008 | Item description                  | C an..256 | O   |  |
| 3453 | Language name code                | C an..3   | O   |  |
| 7383 | Surface or layer code             | C an..3   | N   |  |

Segment Notes:  
This segment is used to describe the current line item.  
It is recommended that this segment only be used for coded descriptions. Data element 7008 in clear text should only be used when no product code is available or when free-form descriptions are required by trading partners.

Example:  
IMD+C++TU:::9'  
IMD+F+++:::GRADE A PETROLEUM'

## 5. Segments Layout

Segment number: 21

| <b>SG5</b>   | - M                                       | 99999 - NAD-SG6                           |   |   |
|--|---|---|---|---|
| <b>SG6</b>   | - M                                       | 99999 - LOC-DTM-SG7-SG8-SG9               |   |   |
| <b>SG9</b>   | - C                                       | 99999 - LIN-PIA-IMD-PRI-NAD-MOA-SG10-SG11 |   |   |
| <b>PRI</b>   | - C                                       | 9 - Price details                         |   |   |
| Function:  |   |   |   |   |
| To specify price information.  |   |   |   |   |
|  | EDIFACT                                   | GS1                                       | * | Description   |
| C509   | PRICE INFORMATION                         | C   | R |   |
| 5125   | Price code qualifier                      | Man..3                                    | M | INF = <a href="#">Information</a>                               |
| 5118   | Price amount                              | C n..15                                   | R |   |
| 5375   | Price type code                           | C an..3                                   | O | CA = <a href="#">Catalogue</a><br>CT = <a href="#">Contract</a> |
| 5387   | Price specification code                  | C an..3                                   | O | NTP = <a href="#">Net unit price</a>                            |
| 5284   | Unit price basis value                    | C n..9                                    | D |   |
| 6411   | Measurement unit code                     | C an..3                                   | D | KGM = <a href="#">kilogram</a>                                  |
| 5213   | Sub-line item price change operation code | C an..3                                   | N |   |
| Segment Notes:   |   |   |   |   |
| This segment specifies pricing information relevant to the current line item.                            |   |   |   |   |
| Example:   |   |   |   |   |
| PRI+INF:14.50:CA:NTP'  |   |   |   |   |
| Net unit price of 14.50 (excluding tax) is an information price and includes all allowances and charges. |   |   |   |   |
| Dependency Notes:  |   |   |   |   |
| Data elements 5284 and 6411 are only used to indicate that the price is for a variable quantity product. |   |   |   |   |

## 5. Segments Layout

Segment number: 22

| <b>SG5</b>   | - M   | 99999 - NAD-SG6                           |          |  |   |
|--|---|---|----------|--|---|
| <b>SG6</b>   | - M   | 99999 - LOC-DTM-SG7-SG8-SG9               |          |  |   |
| <b>SG9</b>   | - C   | 99999 - LIN-PIA-IMD-PRI-NAD-MOA-SG10-SG11 |          |  |   |
| <b>NAD</b>   | - C   | 9 - Name and address                      |          |  |   |
| Function:  |   |   |          |  |   |
| To specify the name/address and their related function, either by C082 only and/or unstructured by C058 or structured by C080 thru 3207. |   |   |          |  |   |
|  | EDIFACT   | GS1                                       | *        | Description  |   |
| 3035   | Party function code qualifier                   | M an..3                                   | <b>M</b> | <p>AP = <b>Accepting party</b><br/> SU = <b>Supplier</b></p> <p>The code value 'AP' should only be used to indicate the party accepting a telephone call. When this code is used the telephone number of the accepting party should be put in data element 3039. The code value 'SU' should only be used in this position of the message to identify a third party supplier, e.g. a service station supplying gasoline products. The supplier identified here does not override the supplier identified in the heading section of the message.</p> |   |
| C082   | PARTY IDENTIFICATION DETAILS                    | C   | <b>A</b> |  |   |
| 3039   | Party identifier                                | M an..35                                  | <b>M</b> | For identification of parties it is recommended to use GLN - Format n13.   |   |
| 1131   | Code list identification code                   | C an..17                                  | <b>N</b> |  |   |
| 3055   | Code list responsible agency code               | C an..3                                   | <b>R</b> | *  | <p>9 = <b>GS1</b><br/> 91 = <b>Assigned by supplier or supplier's agent</b></p> |
| C058   | NAME AND ADDRESS                                | C   | <b>O</b> | This composite may only be used to fulfill the requirements of directive 2003/58/EC, article 4.  |   |
| 3124   | Name and address description                    | M an..35                                  | <b>M</b> |  |   |
| 3124   | Name and address description                    | C an..35                                  | <b>O</b> |  |   |
| 3124   | Name and address description                    | C an..35                                  | <b>O</b> |  |   |
| 3124   | Name and address description                    | C an..35                                  | <b>O</b> |  |   |
| 3124   | Name and address description                    | C an..35                                  | <b>O</b> |  |   |
| C080   | PARTY NAME                                      | C   | <b>D</b> |  |   |
| 3036   | Party name                                      | M an..35                                  | <b>M</b> | Party Name in clear text.  |   |
| 3036   | Party name                                      | C an..35                                  | <b>O</b> |  |   |
| 3036   | Party name                                      | C an..35                                  | <b>O</b> |  |   |
| 3036   | Party name                                      | C an..35                                  | <b>O</b> |  |   |
| 3036   | Party name                                      | C an..35                                  | <b>O</b> |  |   |
| 3045   | Party name format code                          | C an..3                                   | <b>O</b> |  |   |
| C059   | STREET  | C   | <b>D</b> |  |   |
| 3042   | Street and number or post office box identifier | M an..35                                  | <b>M</b> | Building Name/Number and Street Name   |   |
| 3042   | Street and number or post office box identifier | C an..35                                  | <b>O</b> |  |   |
| 3042   | Street and number or post office box identifier | C an..35                                  | <b>O</b> |  |   |



### 5. Segments Layout

Segment number: 22

|      |   | EDIFACT  | GS1 | * | Description                |
|------|---|----------|-----|---|----------------------------|
| 3042 | Street and number or post office box identifier | C an..35 | O   |   |                            |
| 3164 | City name                                       | C an..35 | D   |   | City/Town name, clear text |
| C819 | COUNTRY SUB-ENTITY DETAILS                      | C        | D   |   |                            |
| 3229 | Country sub-entity name code                    | C an..9  | O   |   |                            |
| 1131 | Code list identification code                   | C an..17 | O   |   |                            |
| 3055 | Code list responsible agency code               | C an..3  | O   |   |                            |
| 3228 | Country sub-entity name                         | C an..70 | O   |   | County/State, clear text.  |
| 3251 | Postal identification code                      | C an..17 | D   |   | Postal Code                |
| 3207 | Country name code                               | C an..3  | D   |   | ISO 3166 two alpha code    |

**Segment Notes:**

This segment is used to identify parties related to the current product or service, e.g. the seller (service station) of gasoline products, the party which accepts or receives a telephone call.

**Example:**

NAD+SU+541111123550::9'

**Dependency Notes:**

The following composites and data elements are only used when a coded name and address can not be used.

The affected composites and data elements are as follows:

C080 - C059 - 3164 - C819 - 3251 - 3207

## 5. Segments Layout

Segment number: 23

| <b>SG5</b>   | - M                                 | 99999 - NAD-SG6                           |   |             |   |
|--|-------------------------------------|---|---|-------------|---|
| <b>SG6</b>   | - M                                 | 99999 - LOC-DTM-SG7-SG8-SG9               |   |             |   |
| <b>SG9</b>   | - C                                 | 99999 - LIN-PIA-IMD-PRI-NAD-MOA-SG10-SG11 |   |             |   |
| <b>MOA</b>   | - C                                 | 9 - Monetary amount                       |   |             |   |
| Function:<br>To specify a monetary amount.   |                                     |   |   |             |   |
|  | EDIFACT                             | GS1                                       | * | Description |   |
| C516   | MONETARY AMOUNT                     | M   | M |             |   |
| 5025   | Monetary amount type code qualifier | Man..3                                    | M | *           | 203 = <b>Line item amount</b>   |
| 5004   | Monetary amount                     | C n..35                                   | R |             |   |
| 6345   | Currency identification code        | C an..3                                   | D |             |   |
| 6343   | Currency type code qualifier        | C an..3                                   | D | *           | 3 = <b>Home currency</b><br>14 = <b>Supplier currency</b><br>Code value '3' in this data element is used to indicate the currency in which the party consuming the product or service will, or has been, billed. Code value '14' is used to identify the currency of the third party supplier of the goods or services. |
| 4405   | Status description code             | C an..3                                   | N |             |   |
| <p>Segment Notes:</p> <p>This segment is used to specify the monetary value of the current product or service, e.g. the total cost of long distance telephone calls.</p> <p>Example:<br/> MOA+203:50:GBP:14'<br/> MOA+203:75:EUR:3'<br/> The third party supplier line item amount for the current line item is 50 Pounds Sterling which converts into 75 Euro in the currency of the cardholder.</p> <p>Dependency Notes:<br/> DE's 6345 and 6343: These data elements are only used when the product or services has been supplied in one currency and will be billed in the home currency of the party receiving the goods or services.</p> |                                     |   |   |             |   |

### 5. Segments Layout

Segment number: 24

| <b>SG5</b>  | - M                          | 99999 - NAD-SG6                           |     |   |  |
|---|------------------------------|---|-----|---|--|
| <b>SG6</b>  | - M                          | 99999 - LOC-DTM-SG7-SG8-SG9               |     |   |  |
| <b>SG9</b>  | - C                          | 99999 - LIN-PIA-IMD-PRI-NAD-MOA-SG10-SG11 |     |   |  |
| <b>SG10</b>   | - M                          | 9999 - QTY-DTM                            |     |   |  |
| <b>QTY</b>  | - M                          | 1 - Quantity                              |     |   |  |
| Function:<br>To specify a pertinent quantity.   |                              |   |     |   |  |
|   |                              | EDIFACT                                   | GS1 | * | Description  |
| C186  | QUANTITY DETAILS             | M   | M   |   |  |
| 6063  | Quantity type code qualifier | Man..3                                    | M   |   | 46 = <a href="#">Delivered quantity</a><br>47 = <a href="#">Invoiced quantity</a><br>74 = <a href="#">Latest cumulative quantity</a><br>79 = <a href="#">Previous cumulative quantity</a><br>99 = <a href="#">Estimated quantity</a><br>191 = <a href="#">Adjustment to inventory quantity</a> |
| 6060  | Quantity                     | Man..35                                   | M   |   |  |
| 6411  | Measurement unit code        | C an..3                                   | D   |   | KWT = <a href="#">kilowatt</a><br>KVA = <a href="#">kilovolt - ampere</a><br>This DE is only used if the current line item is of variable quantity.  |
| Segment Notes:<br>This segment is used to specify quantities related to the current line item.<br><br>Example:<br>QTY+74:15000:KWT' |                              |   |     |   |  |

### 5. Segments Layout

Segment number: 25

|             |     |   |
|-------------|-----|---|
| <b>SG5</b>  | - M | 99999 - NAD-SG6                           |
| <b>SG6</b>  | - M | 99999 - LOC-DTM-SG7-SG8-SG9               |
| <b>SG9</b>  | - C | 99999 - LIN-PIA-IMD-PRI-NAD-MOA-SG10-SG11 |
| <b>SG10</b> | - M | 9999 - QTY-DTM                            |
| <b>DTM</b>  | - C | 9 - Date/time/period                      |

Function:  
 To specify date, and/or time, or period.

|      | EDIFACT  | GS1      | *   | Description   |
|------|--|----------|-----|---|
| C507 | DATE/TIME/PERIOD                               | M        | M   |   |
| 2005 | Date or time or period function code qualifier | M an..3  | M * | 263 = Invoicing period<br>273 = Validity period<br>356 = Sales date, and or time, and or period<br>367 = Previous meter reading date<br>368 = Latest meter reading date<br>44E = Connection date/time (GS1 Temporary Code)<br>45E = Disconnection date/time (GS1 Temporary Code)<br>Codes 44E and 45E should only be used to indicate the date/time of connection and disconnect of a telephone call. |
| 2380 | Date or time or period value                   | C an..35 | R   |   |
| 2379 | Date or time or period format code             | C an..3  | R   | 204 = CCYYMMDDHHMMSS<br>719 = CCYYMMDDHHMM-CCYYMMDDHHMM   |

Segment Notes:  
 This segment is used to specify any dates and or times related to the quantity specified in the previous QTY segment.

Example:  
 DTM+367:20020102:102'

## 5. Segments Layout

Segment number: 26

|             |     |   |
|-------------|-----|---|
| <b>SG5</b>  | - M | 99999 - NAD-SG6                           |
| <b>SG6</b>  | - M | 99999 - LOC-DTM-SG7-SG8-SG9               |
| <b>SG9</b>  | - C | 99999 - LIN-PIA-IMD-PRI-NAD-MOA-SG10-SG11 |
| <b>SG11</b> | - C | 99 - CCI-MEA-DTM                          |
| <b>CCI</b>  | - M | 1 - Characteristic/class id               |

Function:  
To identify and describe a specific characteristic and its relevance for subsequent business processes.

|   | EDIFACT  | GS1 | * | Description  |
|---|----------|-----|---|--|
| 7059 Class type code                    | C an..3  | O   |   | 8 = Meter<br>11 = Product  |
| C502 MEASUREMENT DETAILS                | C        | N   |   |  |
| 6313 Measured attribute code            | C an..3  | O   |   |  |
| 6321 Measurement significance code      | C an..3  |     |   |  |
| 6155 Non-discrete measurement name code | C an..17 |     |   |  |
| 6154 Non-discrete measurement name      | C an..70 |     |   |  |
| C240 PRODUCT CHARACTERISTIC             | C        | O   |   |  |
| 7037 Characteristic description code    | Man..17  | M   |   | This data element is used to identify the characteristics of the current line item/meter in coded form. As no EDIFACT code list exists for this data element codes should be allocated depending on the requirements of the user. Should it not be possible to provide a user code in this data element and a free form characteristic description is used in data element 7036, then it is recommended that the code value 'ZZZ' be put in data element 7037 (which is mandatory).<br>ZZZ = Mutually defined (GS1 Permanent Code) |
| 1131 Code list identification code      | C an..17 | O   |   |  |
| 3055 Code list responsible agency code  | C an..3  | D   |   | 91 = Assigned by supplier or supplier's agent<br>92 = Assigned by buyer or buyer's agent<br>60 = Assigned by national trade agency   |
| 7036 Characteristic description         | C an..35 | O   |   | This data element is used to provide free form text characteristics for use where no coded values exist in data element 7037.  |
| 7036 Characteristic description         | C an..35 | O   |   |  |
| 4051 Characteristic relevance code      | C an..3  | N   |   |  |

Segment Notes:  
This segment is used to specify the characteristics of the current line item, the currently identified meter or product supplied on the meter.

Example:  
CCI+11++82::91'  
This example indicates for the gas industry that the characteristic being identified for the product is calorific value through the use of the supplier assigned code value 82.

## 5. Segments Layout

---

Segment number: 26

CCI+8++ZZZ.:91:COIN METER TYPE X-14'

This example indicates the characteristic of the meter in free text form because no code value exists.

## 5. Segments Layout

Segment number: 27

| <b>SG5</b>   | - M                                   | 99999 - NAD-SG6                           |          |   |  |
|--|---------------------------------------|---|----------|---|--|
| <b>SG6</b>   | - M                                   | 99999 - LOC-DTM-SG7-SG8-SG9               |          |   |  |
| <b>SG9</b>   | - C                                   | 99999 - LIN-PIA-IMD-PRI-NAD-MOA-SG10-SG11 |          |   |  |
| <b>SG11</b>  | - C                                   | 99 - CCI-MEA-DTM                          |          |   |  |
| <b>MEA</b>   | - C                                   | 99 - Measurements                         |          |   |  |
| Function:<br>To specify physical measurements, including dimension tolerances, weights and counts. |                                       |   |          |   |  |
|  |                                       | EDIFACT                                   | GS1      | * | Description  |
| 6311   | Measurement purpose code<br>qualifier | M an..3                                   | <b>M</b> |   | SV = Specification value<br>CT = Counts<br>DV = Discrete measurement value<br>VO = Observed value (GS1 Temporary Code)<br>VT = True value (GS1 Temporary Code)   |
| C502   | MEASUREMENT DETAILS                   | C   | <b>O</b> |   |  |
| 6313   | Measured attribute code               | C an..3                                   | <b>A</b> |   | AAP = Voltage<br>AAQ = Power consumption<br>AAR = Heat dissipation<br>AAY = Water content<br>ABJ = Volume<br>TC = Temperature<br>ZWA = Waste content   |
| 6321   | Measurement significance code         | C an..3                                   | <b>O</b> |   | 3 = Approximately<br>4 = Equal to  |
| 6155   | Non-discrete measurement name code    | C an..17                                  | <b>O</b> |   |  |
| 6154   | Non-discrete measurement name         | C an..70                                  | <b>N</b> |   |  |
| C174   | VALUE/RANGE                           | C   | <b>R</b> |   |  |
| 6411   | Measurement unit code                 | M an..3                                   | <b>M</b> |   | 001 = Barrel (205 litres, 45 gallons) (GS1 Temporary Code)<br>GV = gigajoule<br>GLI = gallon (UK)<br>GWH = gigawatt hour<br>KHZ = kilohertz<br>KJO = kilojoule<br>KVT = kilovolt<br>KWH = kilowatt hour<br>VLT = volt<br>CMT = centimetre<br>MTQ = cubic metre<br>H87 = Piece<br>E10 = Degree day<br>E11 = Gigacalorie<br>JM = Megajoule per cubic metre |
| 6314   | Measurement value                     | C an..18                                  | <b>O</b> |   |  |
| 6162   | Range minimum value                   | C n..18                                   | <b>O</b> |   |  |
| 6152   | Range maximum value                   | C n..18                                   | <b>O</b> |   |  |
| 6432   | Significant digits quantity           | C n..2                                    | <b>O</b> |   |  |
| 7383   | Surface or layer code                 | C an..3                                   | <b>N</b> |   |  |

## 5. Segments Layout

---

Segment number: 27

Segment Notes:

This segment is used to specify any measurements related to the currently identified product characteristic class and to provide measurements relevant to the characteristics provided for all the reported services (products) in one location.

Example:

MEA+SV+AAP+VLT:2000'

MEA+VO+ABJ+MTQ:12'



### 5. Segments Layout

Segment number: 28

|             |     |   |
|-------------|-----|---|
| <b>SG5</b>  | - M | 99999 - NAD-SG6                           |
| <b>SG6</b>  | - M | 99999 - LOC-DTM-SG7-SG8-SG9               |
| <b>SG9</b>  | - C | 99999 - LIN-PIA-IMD-PRI-NAD-MOA-SG10-SG11 |
| <b>SG11</b> | - C | 99 - CCI-MEA-DTM                          |
| <b>DTM</b>  | - C | 9 - Date/time/period                      |

Function:

To specify date, and/or time, or period.

|      |  | EDIFACT  | GS1 | * | Description   |
|------|--|----------|-----|---|---|
| C507 | DATE/TIME/PERIOD                               | M        | M   |   |   |
| 2005 | Date or time or period function code qualifier | M an..3  | M   |   | 7 = Effective date/time<br>273 = Validity period<br>7 = Effective date/time<br>18 = Installation date/time/period<br>94 = Production/manufacture date |
| 2380 | Date or time or period value                   | C an..35 | R   |   |   |
| 2379 | Date or time or period format code             | C an..3  | R   |   | 102 = CCYYMMDD<br>203 = CCYYMMDDHHMM<br>718 = CCYYMMDD-CCYYMMDD   |

Segment Notes:

This segment is used to specify any dates and or times related to the measurements or meter characteristics specified in the current line item characteristics.

Example:

DTM+7:20020102:102'

DTM+18:20020115:102'

## 5. Segments Layout

Segment number: 29

| <b>CNT</b> - C 99 - Control total   |                                      |         |     |   |   |
|---|--------------------------------------|---------|-----|---|---|
| Function:<br>To provide control total.  |                                      |         |     |   |   |
|   |                                      | EDIFACT | GS1 | * | Description   |
| C270  | CONTROL                              | M       | M   |   |   |
| 6069  | Control total type code<br>qualifier | Man..3  | M   | * | 31E = Number of premises (GS1 CTemporary<br>ode)<br>36E = Number of meters (GS1 Temporary<br>Code)  |
| 6066  | Control total value                  | Mn..18  | M   |   | When using code '31E' this figure is calculated by<br>counting the total number of NAD segments in<br>segment group 5. When using code '36E' this figure is<br>calculated by counting the total number of meters in<br>segment group 6. |
| 6411  | Measurement unit code                | C an..3 | O   |   |   |
| Segment Notes:<br>This is used to provide message control information for checking on the message receivers in-house system.<br><br>Example:<br>CNT+36E:45' |                                      |         |     |   |   |

## 5. Segments Layout

Segment number: 30

| <b>UNT</b> - M 1 - Message trailer   |                                 |          |          |   |   |
|--|---------------------------------|----------|----------|---|---|
| Function:<br>To end and check the completeness of a message.   |                                 |          |          |   |   |
| Notes:<br>1. 0062, the value shall be identical to the value in 0062 in the corresponding UNH segment.               |                                 |          |          |   |   |
|  |                                 | EDIFACT  | GS1      | * | Description   |
| 0074   | Number of segments in a message | M n..10  | <b>M</b> |   | The total number of segments in the message is detailed here.                                   |
| 0062   | Message reference number        | M an..14 | <b>M</b> |   | The message reference numbered detailed here should equal the one specified in the UNH segment. |
| Segment Notes:<br>This segment is a mandatory UN/EDIFACT segment. It must always be the last segment in the message. |                                 |          |          |   |   |
| Example:<br>UNT+37+1'  |                                 |          |          |   |   |

**6. Examples**

---

**Example 1 - Gas**

The following is an example of a Metered Services Consumption Report message sent from a supplier identified by GLN 5098765111111 to a buyer identified by GLN 5471615111118. The message was generated on the 2nd of January 2002 and has the identity number 8552. Two premises to which the consumption applies to are identified by GLNs 5071615222229 and 5071615333338.

**Premise 1**

Three meters within premise 1 are identified by GLNs 5098765222220, 5098765333339 (was fitted with an anti tamper band on the 1st of December 2001) and 5098765444448. The date on which the meters were read in these premises is identified as being the 14th of December 2001.

A product identified by GTIN 5467890102019 was measured at the first two meters. The reading at the first meter in the premises indicated consumption of 39486058.01 cubic metres for the reading period, with the total consumption to date for the meter being 2339486058.65 cubic meters. The second meter indicated consumption of 15834905.96 cubic metres for the read period and a total to date of 4515834905.08 cubic metres.

The third meter measured, for the reading period, consumption of 233433.42 cubic metres for the product identified by GTIN 5467890102040. No cumulative reading is provided for this meter. The calorific value of the consumption is indicated as being 91431.782 gigajoules.

**Premise 2**

Two meters within premise 2 are identified by GLNs 5098765999993 and 5098765888884. The date on which both meters were read is specified as being the 18th of December 2001.

A product identified by GTIN 5467890102019 was measured at both of the meters. The reading at the first meter in the premises indicated consumption of 566058.40 cubic metres for the reading period, with the total consumption to date for the meter being 39644158.80 cubic meters. The second meter indicated consumption of 58905.41 cubic metres for the read period and a total to date of 583905.48 cubic metres.

|                               |   |
|-------------------------------|---|
| UNH+1+MSCONS:D:01B:UN:EAN004' | Message header  |
| BGM+99E::9+8552+9'            | Metered services consumption report number 8552               |
| DTM+137:20020102:102'         | Message date 2nd January 2002                                 |
| NAD+SU+5098765111111::9'      | Supplier identified by GLN 5098765111111                      |
| NAD+BY+5471615111118::9'      | Buyer identified by GLN 5471615111118                         |
| UNS+D'                        | Separation between the header section and the detail section  |
| NAD+DP+5071615222229::9'      | Delivery party identified by GLN 5071615222229                |
| LOC+17E+5098765222220::9'     | Location of the meter using GLN 5098765222220                 |
| DTM+368:20011214:102'         | Latest meter reading day 14th December 2001                   |
| LIN+1++5467890102019:SRV'     | Line item number 1 identified with GTIN 5467890102019         |
| QTY+46:39486058.01:MTQ'       | Delivered quantity 39486058.01 cubic metres                   |
| QTY+74:2339486058.65:MTQ'     | Latest cumulative quantity 2339486058.65 cubic metres         |
| LOC+17E+5098765333339::9'     | Location of the meter using GLN 5098765333339                 |
| DTM+368:20011214:102'         | Latest meter reading day 14th December 2001                   |
| CCI+8++1::91'                 | Meter characteristic (using supplier code) ANTI TAMPER BANDED |

**6. Examples**

|                           |   |
|---------------------------|---|
| DTM+18:20011201:102'      | Installation date 1st December 2001                           |
| LIN+2++5467890102019:SRV' | Line item number 2 identified with GTIN 5467890102019         |
| QTY+46:15834905.96:MTQ'   | Delivered quantity 15834905.96 cubic metres                   |
| QTY+74:4515834905.08:MTQ' | Latest cumulative quantity 4515834905.08 cubic metres         |
| LOC+17E+5098765444448::9' | Location of the meter using GLN 5098765444448                 |
| DTM+368:20011214:102'     | Latest meter reading day 14th December 2001                   |
| LIN+3++5467890102040:SRV' | Line item number 3 identified with GTIN 5467890102040         |
| QTY+46:233433.42:MTQ'     | Delivered quantity 233433.42 cubic metres                     |
| CCI+11++14::91'           | Product characteristic (using supplier code) CALORIFIC VALUE' |
| MEA+SV++GJO:91431.782'    | Specification value 91431.782 gigajoule                       |
| NAD+DP+5071615333338::9'  | Delivery party identified by GLN 5071615333338                |
| LOC+17E+5098765999993::9' | Location of the meter using GLN 5098765999993                 |
| DTM+368:20011218:102'     | Latest meter reading day 18th December 2001                   |
| LIN+4++5467890102019:SRV' | Line item number 4 identified with GTIN 5467890102019         |
| QTY+46:566058.40:MTQ'     | Delivered quantity 566058.40 cubic metres                     |
| QTY+74:39644158.80:MTQ'   | Latest cumulative quantity 39644158.80 cubic metres           |
| LOC+17E+5098765888884::9' | Location of the meter using GLN 5098765888884                 |
| DTM+368:20011218:102'     | Latest meter reading day 18th December 2001                   |
| LIN+5++5467890102019:SRV' | Line item number 5 identified with GTIN 5467890102019         |
| QTY+46:58905.41:MTQ'      | Delivered quantity 58905.41 cubic metres                      |
| QTY+74:583905.48:MTQ'     | Latest cumulative quantity 583905.48 cubic metres             |
| UNT+37+1'                 | Total number of segments in the message equals 37             |

**Example 2 - Telephone**

The following is an example of a Metered Services Consumption Invoice Support message sent from a supplier identified by GLN 5411111123451 to a buyer identified by GLN 5412345123453. The message was generated on the 11th of January 2002 and has the identity number 95-00042.

The message provides consumption information to support an invoice sent on the 28th of December 2001 with the reference 10014. The premise to which the consumption applies to is identified by GLN 5412345111115.

Two meters (telephone numbers) are identified by GLNs 5411111123444 and 5411111123550. For the first meter local and long distance telephone services are reported and are identified by GTINs 5410738000152 and 5410738000169 respectively. The second meter reports, in addition to local and long distance calls, on international telephone calls identified by GTIN 5410738000183.

| Premise | Meter | Product | Units | Price | Total |
|---------|-------|---------|-------|-------|-------|
|---------|-------|---------|-------|-------|-------|

6. Examples

|               |               |               |    |      |       |
|---------------|---------------|---------------|----|------|-------|
| 5412345111115 | 5411111123444 | 5410738000152 | 68 | 0.51 | 34.68 |
|               |               | 5410738000169 | 21 | 1.08 | 22.68 |
|               | 5411111123550 | 5410738000152 | 28 | 0.51 | 14.28 |
|               |               | 5410738000169 | 8  | 1.08 | 8.64  |
|               |               | 5410738000183 | 15 | 1.90 | 28.50 |

UNH+1+MSCONS:D:01B:UN:EAN004' Message header

BGM+94E::9+95-00042+9' Metered services consumption invoice support number 95-00042

DTM+137:20020111:102' Message date 11th January 2002

NAD+SU+5411111123451::9' Supplier identified by GLN 5411111123451

NAD+BY+5412345123453::9' Buyer identified by GLN 5412345123453

UNS+D' Separation between the header section and the detail section

NAD+DP+5412345111115::9' Delivery party identified by GLN 5412345111115

LOC+17E+5411111123444::9' Location of the meter using GLN 5411111123444

DTM+273:2001120140011231:718' Validity period from 1st December 2001 to 31st December 2001

RFF+IV:10014' Invoice number 10014

DTM+171:20011228:102' Date of the invoice referenced 28th December 2001

LIN+1++5410738000152:SRV' Line item number 1 identified with GTIN 5410738000152

PRI+INF:0.51:CT:NTP' Information of the net unit price 0.51

MOA+203:34.68' Line item amount 34.68

QTY+47:68' Invoiced quantity 68

LIN+2++5410738000169:SRV' Line item number 2 identified with GTIN 5410738000169

PRI+INF:1.08:CT:NTP' Information of the net unit price 1.08

MOA+203:22.68' Line item amount 22.68

QTY+47:21' Invoiced quantity 21

LOC+17E+5411111123550::9' Location of the meter using GLN 5411111123550

DTM+273:2001120140011231:718' Validity period from 19th December 2001 to 31st December 2001

LIN+3++5410738000152:SRV' Line item number 3 identified with GTIN 5410738000152

PRI+INF:0.51:CT:NTP' Information of the net unit price 0.51

**6. Examples**

|                           |   |
|---------------------------|---|
| MOA+203:14.28'            | Line item amount 14.28                                |
| QTY+47:28'                | Invoiced quantity 28                                  |
| LIN+4++5410738000169:SRV' | Line item number 4 identified with GTIN 5410738000169 |
| PRI+INF:1.08:CT:NTP'      | Information of the net unit price 1.08                |
| MOA+203:8.64'             | Line item amount 8.64                                 |
| QTY+47:8'                 | Invoiced quantity 8                                   |
| LIN+5++5410738000183:SRV' | Line item number 5 identified with GTIN 5410738000183 |
| PRI+INF:1.90:CT:NTP'      | Information of the net unit price 1.90                |
| MOA+203:28.50'            | Line item amount 28.50                                |
| QTY+47:15'                | Invoiced quantity 15                                  |
| CNT+31E:1'                | Number of premises 1                                  |
| CNT+36E:2'                | Number of meters 2                                    |
| UNT+36+1'                 | Total number of segments in the message equals 36     |

**Example 3 - Charge Card for motoring**

The following is an example of a Metered Services Consumption Invoice Support message sent from a supplier identified by GLN 5071615111110 to a buyer identified by GLN 5098765111111. The message was generated on the 4th of February 2002 and has the identity number 6078.

The message provides consumption information to support an invoice sent on the 4th of February 2002 with the reference AX-3255. The premise, a sales department within a firm, to which the consumption applies to is identified by GLN 5098765222220.

A charge card identified by the suppliers number CC-5523-4061 is identified as being the 'meter' being reported upon. The report is related to the consumption of two products, petroleum identified by GTIN 4000862141404 and motor oil identified by GTIN 5412345111184, at two different services stations, ESSO Ixelles and ESSO StGilles, at 10:15 on the 14th of January 2002 and at 16:45 on the 26th of January 2002 respectively.

| Charge Card  | Supplier      | Product       | Quantity  | Price        | Total |
|--------------|---------------|---------------|-----------|--------------|-------|
| CC-5523-4061 | ESSO Ixelles  | 4000862141404 | 40 Litres | 25 per litre | 1000  |
|              | ESSO StGilles | 4000862141404 | 52 Litres | 25 per litre | 1300  |
|              |               | 5412345111184 | 4 Litres  | 36 per litre | 144   |

|                               |   |
|-------------------------------|---|
| UNH+1+MSCONS:D:01B:UN:EAN004' | Message header                                  |
| BGM+94E::9+6078+9'            | Metered services consumption report number 6078 |
| DTM+137:20020204:102'         | Message date 4th February 2002                  |
| NAD+SU+5071615111110::9'      | Supplier identified by GLN 5071615111110        |

## 6. Examples

---

|                               |   |
|-------------------------------|---|
| NAD+BY+5098765111111::9'      | Buyer identified by GLN 5098765111111                           |
| UNS+D'                        | Separation between the header section and the detail section    |
| NAD+DP+5098765222220::9'      | Delivery party identified by GLN 5098765222220                  |
| LOC+17E+CC-5523-4061::91'     | Location of the meter using supplier internal code CC-5523-4061 |
| DTM+263:2002010120020131:718' | Invoicing period 1st January 2002 to 31st January 2002          |
| RFF+IV:AX-3255'               | Invoice reference number AX-3255'                               |
| DTM+171:20020204:102'         | Date of the invoice referenced 4th February 2002                |
| LIN+1++4000862141404:SRV'     | Line item number 1 identified with GTIN 4000862141404           |
| PRI+INF:25:CT:NTP:1:LTR'      | Information price from contract 25 per Litre                    |
| NAD+SU+++ESSO IXELLES'        | Supplier Address ESSO Ixelles'                                  |
| MOA+203:1000'                 | Line item amount 1.000  |
| QTY+47:40'                    | Invoiced quantity 40  |
| DTM+6:200201141015:718'       | Sales date 14th January at 10.15                                |
| LIN+2++4000862141404:SRV'     | Line item number 2 identified with GTIN 4000862141404           |
| PRI+INF:25:CT:NTP:1:LTR'      | Information price from contract 25 per Litre                    |
| NAD+SU+++ESSO ST GILLES'      | Supplier address ESSO St Gilles'                                |
| MOA+203:1300'                 | Line item amount 1.300  |
| QTY+47:52'                    | Invoiced quantity 52  |
| DTM+6:200201461645:718'       | Sales date 26th January at 16.45                                |
| LIN+3++5412345111184:SRV'     | Line item number 3 identified with GTIN 5412345111184           |
| PRI+INF:36:CT:NTP:1:LTR'      | Information price from contract 36 per Litre                    |
| NAD+SU+++ESSO ST GILLES'      | Supplier address ESSO St Gilles'                                |
| MOA+203:144'                  | Line item amount 144  |
| QTY+47:4'                     | Invoiced quantity 4   |
| DTM+6:200201461645:718'       | Sales date 26th January at 16.45                                |
| CNT+31E:1'                    | Number of premises 1  |
| CNT+36E:1'                    | Number of meters 1  |
| UNT+32+1'                     | Total number of segments in the message equals 32               |

Note:

The EDI interchange will include the UNB..UNZ segments and, if applicable, the UNG..UNE segments. (See part 1 section 5.7).



## **6. Examples**

---